



TRANSPORTATION CABINET

Frankfort, Kentucky 40622
www.transportation.ky.gov/

Steven L. Beshear
Governor

Michael W. Hancock, P.E.
Secretary

April 17, 2013

CALL NO. 101
CONTRACT ID NO. 131306
ADDENDUM # 2

Subject: Scott County, HPP 0122 (008)
Letting April 19, 2013

- (1) Revised - Plan Sheets - R1, R2F, R2G, R2H, R32F, X106, X127, X130,
X145, X154, X155 & X162
- (2) Revised - Bid Items - Pages 149-153(a) of 153

Proposal revisions are available at <http://transportation.ky.gov/Construction-Procurement/>.

Plan revisions are available at <http://www.lynnimaging.com/kytransportation/>.

If you have any questions, please contact us at 502-564-3500.

Sincerely,

A handwritten signature in blue ink that reads "Ryan Griffith".

Ryan Griffith
Acting Director
Division of Construction Procurement

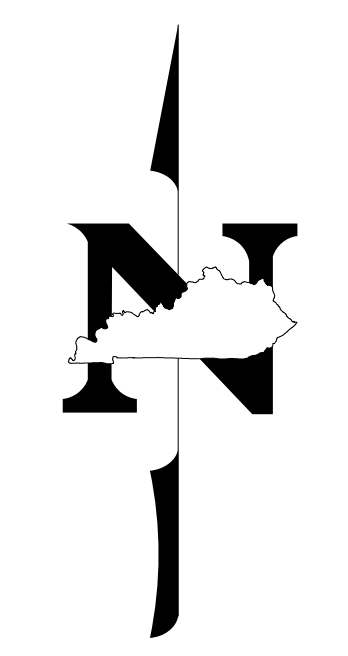
RG:ks
Enclosures



An Equal Opportunity Employer M/F/D

Commonwealth of Kentucky DEPARTMENT OF HIGHWAYS

PLANS OF PROPOSED PROJECT SCOTT COUNTY GEORGETOWN NW BYPASS HPP 0122 (008) FD52 105 NEW ROUTE



THESE PLANS ARE FOR
GRADE, DRAIN, & SURFACING

INDEX OF SHEETS	
SHEET NO.	DESCRIPTION
R1	LAYOUT SHEET
R2 - R2L	TYPICAL SECTIONS-SUMMARY OF QUANTITIES
R3 - R28	PLAN AND PROFILE SHEETS
R29	RIGHT OF WAY SUMMARY SHEETS
R30 - R31	RIGHT OF WAY STRIP MAP SHEETS
R32	ROW MONUMENT POINTS
R32A - R32F	DETAIL SHEETS
R33 - R47	TRAFFIC CONTROL SHEETS
R48 - R49	DEVELOPMENT SHEETS
R50 - R67	SOUND WALL/BERM DETAILS
R68 - R80	EROSION CONTROL SHEETS
R81 - R82	COORDINATE CONTROL SHEETS
R83 - R101	GEOTECHNICAL SHEETS
R102 - R121	PIPE DRAINAGE SHEETS
S1 - S37	BRIDGE STA. 42+52 - DRAWING NO. 26853
S1 - S8	CULVERT STA. 91+05 - DRAWING NO. 26854
S1 - S8	CULVERT STA. 43+75 - DRAWING NO. 26855
S1 - S10	CULVERT STA. 46+38.12 - DRAWING NO. 26856
S1 - S8	CULVERT STA. 47+00 - DRAWING NO. 26857
T1 - T9	SIGNAL PLANS
T10 - T32	SIGNING AND STRIPING
X1 - X191	CROSS SECTION SHEETS

SHEETS NOT INCLUDED IN TOTAL SHEETS
R2A, R2B, R2C, R2D, R2E, R2F, R2G, R2H, R2I, R2J, R2K, R2L, R6A, R22A, R32A, R32B, R32C, R32D, R32E, R32F

STANDARD DRAWINGS		
NUMBER		
RBB-001-07	RDB-273-05	RDX-215
RBC-001-10	RDD-040-04	RDX-220-04
RBC-002-02	RDI-001-09	RDX-225
RBC-003-07	RDI-002-04	RDX-230
RBI-001-10	RDI-003-04	RGS-001-06
RBI-002-06	RDI-011-02	RGS-002-05
RBI-004-04	RDI-016-02	RGX-001-05
RBR-010-05	RDI-020-08	RGX-002-08
RBR-015-04	RDI-021	RGX-010-03
RBR-016-04	RDI-025-04	RGX-030-06
RBR-020-05	RDI-026	RGX-040-02
RBR-035-10	RDI-035-01	RGX-100-05
RDB-005-08	RDI-040	RGX-105-07
RDB-011-07	RDI-041	RGX-200
RDB-100-04	RDI-045-01	RPM-100-09
RDB-101-04	RDP-001-05	RPM-110-06
RDB-105-05	RDP-005-04	RPM-170-08
RDB-106-04	RDP-006-03	TTC-135-01
RDB-270-08	RDP-007-03	TTC-150-02
RDB-271-04	RDP-010-08	TTD-110-01
RDB-272-06	RDX-001-05	RDH-020-03
	RDX-002-03	
	RDX-210-02	

TOTAL STANDARD DRAWINGS: 65

STA 3+70.01
BEGIN FULL DEPTH CONSTRUCTION

(STA 206+27.07)
BEGIN OVERLAY

(STA 211+00)
END OVERLAY

STA 144+66.14
END CONSTRUCTION

STA. 43+75 CONST.
12'X5' RCBC AT 45° SK LT

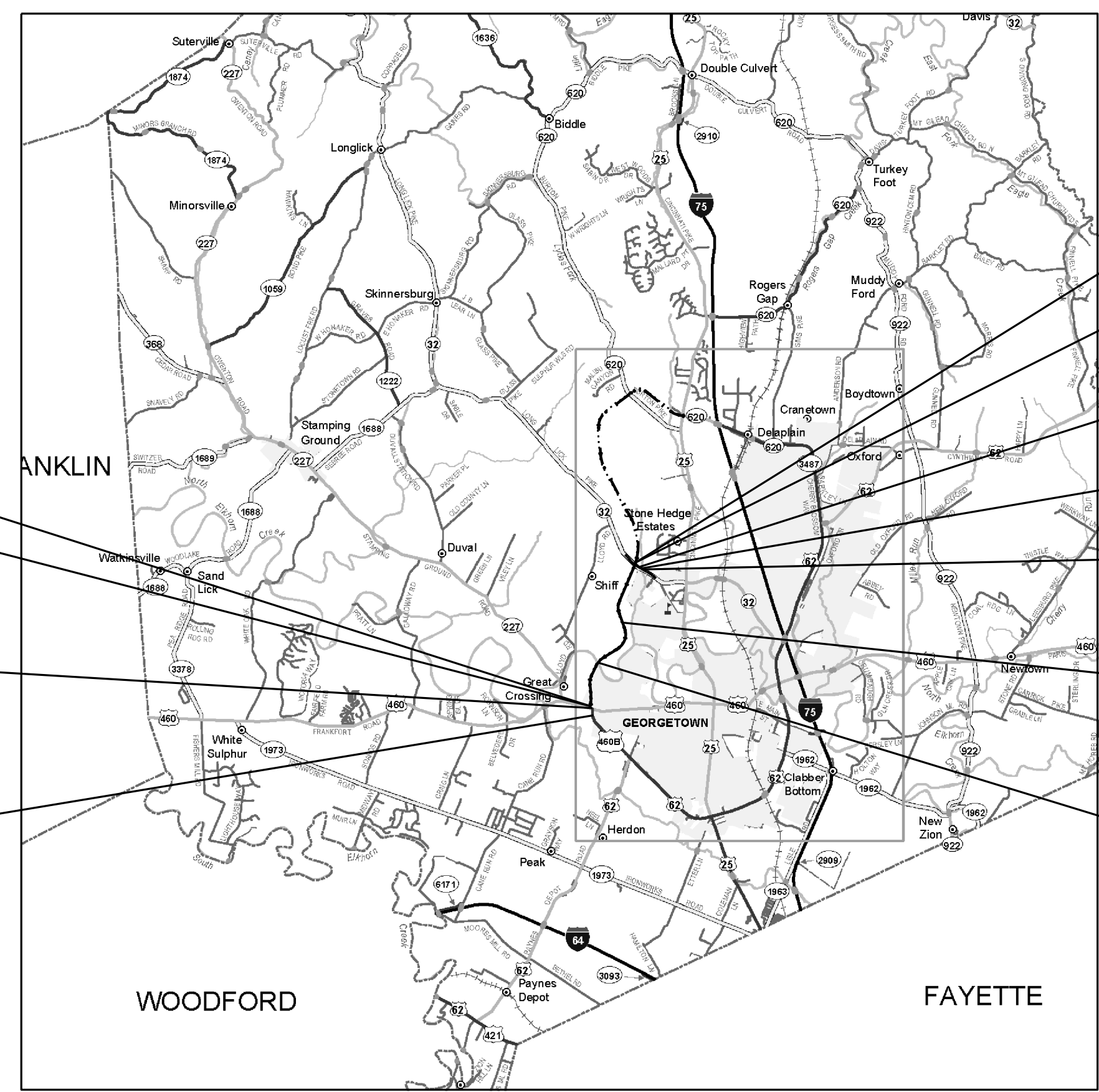
STA. 46+38.12 CONST.
9'X4' RCBC AT 36° 22' 37" SK LT

STA. 47+00 CONST.
6'X4' RCBC AT 0° SK

STA. 91+05 CONST.
14'X5' RCBC AT 45° SK RT

STA. 42+52 CONST.
110' - 140' - 140' - 140'
PCIB BRIDGE

THIS PROJECT IS A PARTIALLY
CONTROLLED ACCESS HIGHWAY.
ACCESS SHALL BE PROVIDED ONLY
WHERE SPECIFICALLY INDICATED
ON PLANS.



SCALE IN 1"=2 Miles
LAYOUT MAP



DESIGN CRITERIA	
CLASS OF HIGHWAY	ARTERIAL
TYPE OF TERRAIN	ROLLING
DESIGN SPEED	45 MPH URBAN, 55 MPH RURAL
REQUIRED NPSD	360' URBAN, 495' RURAL
REQUIRED PSD	900'
LEVEL OF SERVICE	
ADT PRESENT (2012)	5,300
ADT FUTURE (2032)	15,900
DHV	1,400
D %	
T %	10.2% DHV, 11% ADT
GEOGRAPHIC COORDINATES	
LATITUDE	38 DEGREES 13.48 MINUTES NORTH
LONGITUDE	84 DEGREES 35.13 MINUTES WEST
DESIGNED	
% RESTRICTED SD	
LEVEL OF SERVICE	
MAX. DISTANCE W/O PASSING	

MAINLINE	KY32	TOTAL	GEORGETOWN WEST BYPASS NOT INCLUDED IN TOTAL
LENGTH 14,096 LIN. FT. 2.670 MILES	LENGTH 3,397 LIN. FT. 0.643 MILES	LENGTH 17,493 LIN. FT. 3.313 MILES	LENGTH 473 LIN. FT. .090 MILES
ADDED [] FOR EQUALITIES _____ LIN. FT.	ADDED [] FOR EQUALITIES _____ LIN. FT.	ADDED [] FOR EQUALITIES _____ LIN. FT.	ADDED [] FOR EQUALITIES _____ LIN. FT.
DEDUCTED [] NOT INCLUDED _____ LIN. FT.	DEDUCTED [] NOT INCLUDED _____ LIN. FT.	DEDUCTED [] NOT INCLUDED _____ LIN. FT.	DEDUCTED [] NOT INCLUDED _____ LIN. FT.
RAILROAD CROSSINGS NO. _____ LIN. FT.	RAILROAD CROSSINGS NO. _____ LIN. FT.	RAILROAD CROSSINGS NO. _____ LIN. FT.	RAILROAD CROSSINGS NO. _____ LIN. FT.
BRIDGES _____ LIN. FT.	BRIDGES _____ LIN. FT.	BRIDGES _____ LIN. FT.	BRIDGES _____ LIN. FT.

**Commonwealth of Kentucky
DEPARTMENT OF HIGHWAYS
COUNTY OF
SCOTT**

ITEM NO. 7-102.10
PROJECT HPP 0122 (008)
NUMBER: FD52 105 NEW ROUTE
LETTING DATE: _____

RECOMMENDED BY: Robin Sprague, P.E. DATE: 10/25/2012
PROJECT MANAGER

PLAN APPROVED BY: [Signature] DATE: 10/26/2012
STATE HIGHWAY ENGINEER

NO. SETS _____ DATE _____
RECORD PLANS _____ CONSTRUCTION PLANS _____

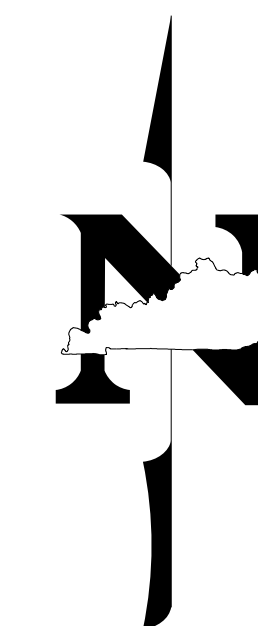
REVIEWED BY _____ DIVISION OF CONSTRUCTION _____

USER: \$\$\$USER\$\$\$
DATE: \$\$\$DATE\$\$\$
FILE NAME: \$\$\$designsfiles\$specifications\$\$\$
E-SHEET NAME: R00100LS REVISED 4-16-13

Commonwealth of Kentucky DEPARTMENT OF HIGHWAYS

REVISED 4-16-13

COUNTY OF	ITEM NO.	SHEET NO.
SCOTT	7-102.10	RI



PLANS OF PROPOSED PROJECT SCOTT COUNTY GEORGETOWN NW BYPASS HPP 0122 (008) FD52 105 NEW ROUTE

THESE PLANS ARE FOR
GRADE, DRAIN, & SURFACING

SHEET NO.	DESCRIPTION
R1	LAYOUT SHEET
R2 - R2L	TYPICAL SECTIONS-SUMMARY OF QUANTITIES
R3 - R28	PLAN AND PROFILE SHEETS
R29	RIGHT OF WAY SUMMARY SHEETS
R30 - R31	RIGHT OF WAY STRIP MAP SHEETS
R32	ROW MONUMENT POINTS
R32A - R32F	DETAIL SHEETS
R33	TRAFFIC CONTROL SHEETS
R48 - R49	DEVELOPMENT SHEETS
R50 - R67	SOUND WALL/BERM DETAILS
R68 - R80	EROSION CONTROL SHEETS
R81 - R82	COORDINATE CONTROL SHEETS
R83 - R101	GEOTECHNICAL SHEETS
R102 - R121	PIPE DRAINAGE SHEETS
S1 - S37	BRIDGE STA. 42+52 - DRAWING NO. 26853
S1 - S8	CULVERT STA. 91+05 - DRAWING NO. 26854
S1 - S8	CULVERT STA. 43+75 - DRAWING NO. 26855
S1 - S10	CULVERT STA. 46+38.12 - DRAWING NO. 26856
S1 - S8	CULVERT STA. 47+00 - DRAWING NO. 26857
T1 - T9	SIGNAL PLANS
T10 - T32	SIGNING AND STRIPING
X1 - X191	CROSS SECTION SHEETS

SHEETS NOT INCLUDED IN TOTAL SHEETS
R2A, R2B, R2C, R2D, R2E, R2F, R2G, R2H, R2I, R2J, R2K, R2L, R6A, R22A, R32A, R32B, R32C, R32D, R32E, R32F

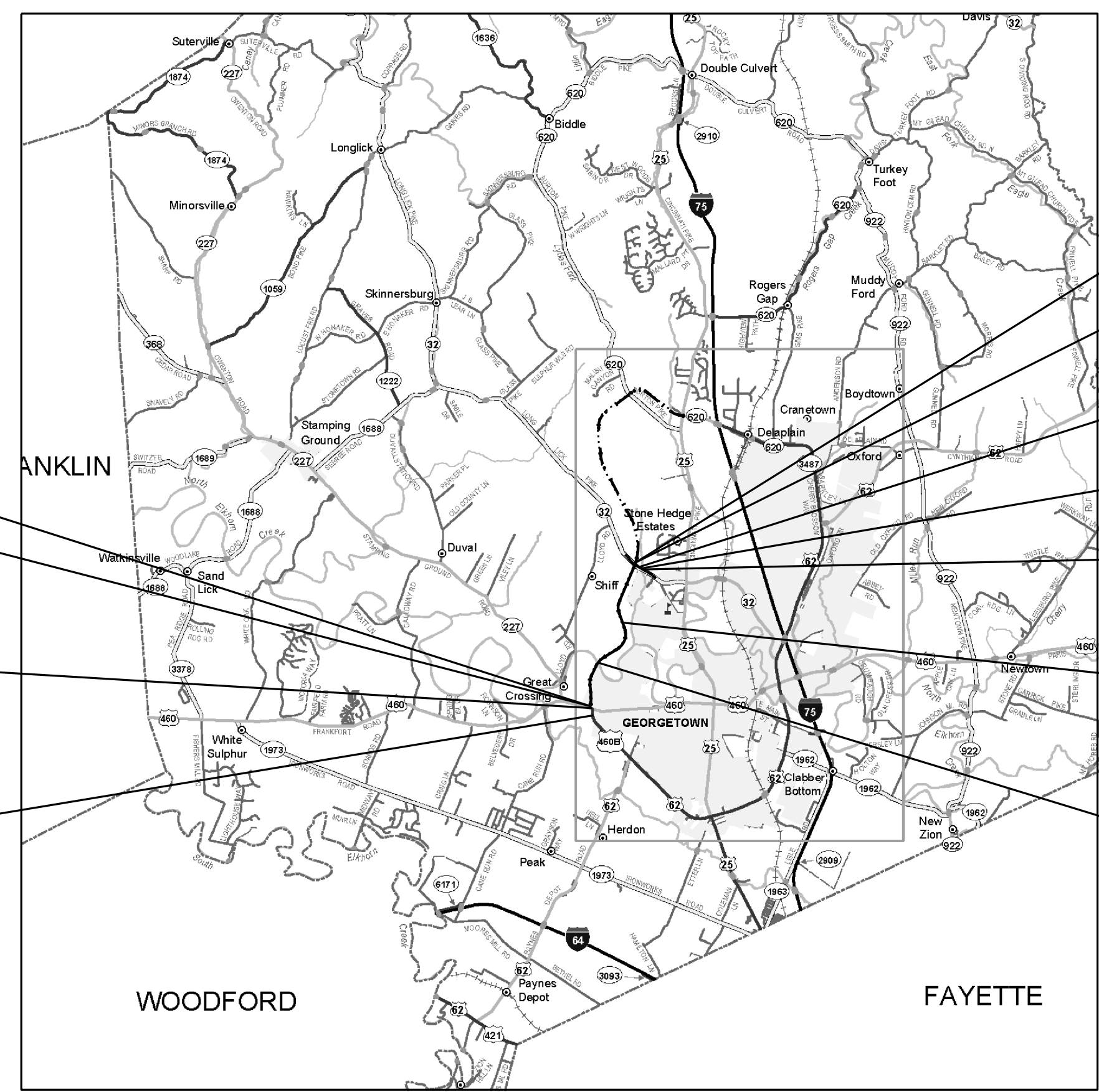
STANDARD DRAWINGS		
NUMBER		
RBB-001-07	RDB-273-05	RDX-215
RBC-001-10	RDD-040-04	RDX-220-04
RBC-002-02	RDI-001-09	RDX-225
RBC-003-07	RDI-002-04	RDX-230
RBI-001-10	RDI-003-04	RGS-001-06
RBI-002-06	RDI-011-02	RGS-002-05
RBI-004-04	RDI-016-02	RGX-001-05
RBR-010-05	RDI-020-08	RGX-002-08
RBR-015-04	RDI-021	RGX-010-03
RBR-016-04	RDI-025-04	RGX-030-06
RBR-020-05	RDI-026	RGX-040-02
RBR-035-10	RDI-035-01	RGX-100-05
RDB-005-08	RDI-040	RGX-105-07
RDB-011-07	RDI-041	RGX-200
RDB-100-04	RDI-045-01	RPM-100-09
RDB-101-04	RDP-001-05	RPM-110-06
RDB-105-05	RDP-005-04	RPM-170-08
RDB-106-04	RDP-006-03	TTC-135-01
RDB-270-08	RDP-007-03	TTC-150-02
RDB-271-04	RDP-010-08	TTD-110-01
RDB-272-06	RDX-001-05	RDH-020-03
	RDX-002-03	
	RDX-210-02	

TOTAL STANDARD DRAWINGS: 65

STA 3+70.01
BEGIN FULL DEPTH CONSTRUCTION

(STA 206+27.07)
BEGIN OVERLAY

(STA 211+00)
END OVERLAY



STA 144+66.14
END CONSTRUCTION

STA. 43+75 CONST.
12'X5' RCBC AT 45° SK LT

STA. 46+38.12 CONST.
9'X4' RCBC AT 36° 22' 37" SK LT

STA. 47+00 CONST.
6'X4' RCBC AT 0° SK

STA. 91+05 CONST.
14'X5' RCBC AT 45° SK RT

STA. 42+52 CONST.
110' - 140' - 140' - 140'
PCIB BRIDGE

THIS PROJECT IS A PARTIALLY
CONTROLLED ACCESS HIGHWAY.
ACCESS SHALL BE PROVIDED ONLY
WHERE SPECIFICALLY INDICATED
ON PLANS.

DESIGN CRITERIA	
CLASS OF HIGHWAY	ARTERIAL
TYPE OF TERRAIN	ROLLING
DESIGN SPEED	45 MPH URBAN, 55 MPH RURAL
REQUIRED NPSD	360' URBAN, 495' RURAL
REQUIRED PSD	900'
LEVEL OF SERVICE	
ADT PRESENT (2012)	5,300
ADT FUTURE (2032)	15,900
DHV	1,400
D %	
T %	10.2% DHV, 11% ADT
GEOGRAPHIC COORDINATES	
LATITUDE	38 DEGREES 13.48 MINUTES NORTH
LONGITUDE	84 DEGREES 35.13 MINUTES WEST
DESIGNED	
% RESTRICTED SD	
LEVEL OF SERVICE	
MAX. DISTANCE W/O PASSING	

SCALE IN 1"=2 Miles LAYOUT MAP



MAINLINE	KY32	TOTAL	GEORGETOWN WEST BYPASS NOT INCLUDED IN TOTAL
LENGTH 14,096 LIN. FT. 2.670 MILES	LENGTH 3,397 LIN. FT. 0.643 MILES	LENGTH 17,493 LIN. FT. 3.313 MILES	LENGTH 473 LIN. FT. .090 MILES
ADDED FOR EQUALITIES	ADDED FOR EQUALITIES	ADDED FOR EQUALITIES	ADDED FOR EQUALITIES
DEDUCTED NOT INCLUDED	DEDUCTED NOT INCLUDED	DEDUCTED NOT INCLUDED	DEDUCTED NOT INCLUDED
RAILROAD CROSSINGS NO. LIN. FT.	RAILROAD CROSSINGS NO. LIN. FT.	RAILROAD CROSSINGS NO. LIN. FT.	RAILROAD CROSSINGS NO. LIN. FT.
BRIDGES LIN. FT.	BRIDGES LIN. FT.	BRIDGES LIN. FT.	BRIDGES LIN. FT.

**Commonwealth of Kentucky
DEPARTMENT OF HIGHWAYS
COUNTY OF
SCOTT**

ITEM NO. 7-102.10
PROJECT HPP 0122 (008)
NUMBER: FD52 105 NEW ROUTE
LETTING DATE: _____

RECOMMENDED BY: Robin Sprague, P.E. DATE: 10/25/2012
PROJECT MANAGER

PLAN APPROVED BY: [Signature] DATE: 10/26/2012
STATE HIGHWAY ENGINEER

NO. SETS
RECORD PLANS
CONSTRUCTION PLANS
REVIEWED BY
DIVISION OF CONSTRUCTION
USER: \$\$\$USER\$\$\$
DATE: \$\$\$DATE\$\$\$
FILE NAME: \$\$\$designsfiles\$specifications\$\$\$
E-SHEET NAME: R00100LS

GENERAL SUMMARY

COUNTY OF	ITEM NO.	SHEET NO.
SCOTT	7-102.10	R2F

PREPARED BY _____ DATE _____
 CHECKED BY _____ DATE _____
 APPROVED BY _____ DATE _____

ITEM CODE	ITEM	UNIT	ML, APPROACHES & ENTRANCES	SOUND BARRIER WALL	SOUND BARRIER BERM						PROJECT TOTALS
2545	CLEARING AND GRUBBING ①	LS	1								1
2726	STAKING	LS	1								1
5985	SEEDING AND PROTECTION	SQ YD	391,525								391,525
5966	TOPDRESSING FERTILIZER	TON	20.3								20.3
5953	TEMP SEEDING AND PROTECTION ②	SQ YD	117,458								117,458
2701	TEMPORARY SILT FENCE	LF	34,400								34,400
2703	SILT TRAP TYPE A	EACH	100								100
2704	SILT TRAP TYPE B	EACH	100								100
2705	SILT TRAP TYPE C	EACH	100								100
2709	CLEAN TEMPORARY SILT FENCE	LF	103,200								103,200
2706	CLEAN SILT TRAP A	EACH	300								300
2707	CLEAN SILT TRAP B	EACH	300								300
2708	CLEAN SILT TRAP C	EACH	300								300
2230	EMBANKMENT IN PLACE ⑤	CU YD	197,083		120,746						317,829
1810	STANDARD CURB & GUTTER	LF	7,437								7,437
2014	BARRICADE - TYPE III	EACH	51								51
2223	GRANULAR EMBANKMENT ⑦	CU YD	7,407								7,407
2242	WATER (FOR DUST CONTROL)	M GAL	165								165
2351	GUARDRAIL - STEEL W BEAM S FACE	LF	6,325								6,325
2360	GUARDRAIL TERMINAL SECTION NO 1	EACH	2								2
2391	GUARDRAIL END TREATMENT TYPE 4A	EACH	22								22
2367	GUARDRAIL END TREATMENT TYPE 1	EACH	4								4
2381	REMOVE GUARDRAIL	LF	897								897
23131ER701	PIPELINE VIDEO INSPECTION ③	LF	4,474		337						4,811
2429	RIGHT OF WAY MONUMENT TY 1	EACH	134								134
2432	WITNESS POST	EACH	134								134
2483	CHANNEL LINING CL II	TON	5,515		103						5,618
2484	CHANNEL LINING CL III	TON		119	93						212
2562	SIGNS ⑥	SQ FT	173								173
2568	MOBILIZATION	LS	1								1
2569	DEMOBILIZATION	LS	1								1
2599	FABRIC - GEOTEXTILE TY IV ④	SQ YD	68,648								68,648
2600	FABRIC - GEOTEXTILE TY IV FOR PIPE	SQ YD	16,242								16,242
2650	MAINTAIN AND CONTROL TRAFFIC	LS	1								1
2651	DIVERSIONS (BY PASS DETOURS) ⑨	LS	2								2
2671	PORTABLE CHANGEABLE MESSAGE SIGN	EA	4								4
5950	EROSION CONTROL BLANKET	SQ YD	4,169	211	324						4,704
5952	TEMPORARY MULCH	SQ YD	481,580								481,580
20063EN9T	DRY LAID ROCK FENCE ⑪	LF	570								570
2720	SIDEWALK-4 IN CONCRETE	SQ YD	2,959								2,959

EARTHWORK TOTALS	
<u>EXCAVATION</u>	
210,238	COMMON ⑮
69,835	ROCK
280,073	TOTAL EXCAVATION
<u>EMBANKMENT</u>	
255,506	EMB ⑮
48,345	ROCK ROADBED
303,851	TOTAL EMBANKMENT
6,736	BENCH
4,459	ROCK BENCH
2,783	TRANSVERSE BENCH
13,978	TOTAL BENCH

FOR DRAINAGE QUANTITIES - SEE DRAINAGE SUMMARY SHEETS

- ① APPROXIMATELY 99.50 ACRES
- ② ESTIMATED AT 30% OF TOTAL SEEDING & PROTECTION
- ③ 100% OF TOTAL LIN. FEET OF ALL INSTALLED PIPES, REGARDLESS OF MATERIAL TYPE (SEE SUPPLEMENTAL SPECIFICATIONS)
- ④ INCLUDES 11111 SQ YDS TO BE USED AT DISCRETION OF FIELD ENGINEER FOR WORKING PLATFORMS UNDER EMBANKMENTS IN SOFT AREAS
- ⑤ INCLUDES 13,978 CUBIC YARDS BENCH
- ⑥ TEMPORARY SIGNS FOR MAINTENANCE OF TRAFFIC
- ⑦ TO BE USED AT DISCRETION OF FIELD ENGINEER FOR WORKING PLATFORMS UNDER EMBANKMENTS IN SOFT AREAS
- ⑧ ITEMS TO BE USED FOR GRAVITY RETAINING WALL AT LT STA. 15+21 TO LT STA. 16+43
- ⑨ INCLUDES 2 DIVERSIONS LOCATED AT:
LT STA. 28+50 TO LT STA. 34+00
LT STA. 38+50 TO LT STA. 61+96.58
- ⑩ ITEMS FOR TREATMENT OF EMBANKMENT FOR BRIDGE END-BENT
- ⑪ INCLUDES 110 LF FOR MITIGATION. SEE PROPOSAL NOTE
- ⑫ INCLUDES: 204 JAPANESE VIBURNUM
199 SEA GREEN JUNIPER
- ⑬ JAPANESE SILVER GRASS
- ⑭ NORTHERN SEA OATS
- ⑮ INCLUDES 2,461 COMMON AND 120,746 EMBANKMENT FROM SOUND BARRIER WALL EARTHWORK
- ⑯ 10' X 5' RCBC
- ⑰ 9' X 4' RCBC
- ⑱ 6' X 4' RCBC

USER: \$\$\$USER\$\$\$
 DATE: \$\$\$DATE\$\$\$
 FILE NAME: \$\$\$designsfiles\$specifications\$\$\$
 E-SHEET NAME: R0020FSU

GENERAL SUMMARY

GENERAL SUMMARY

REVISED 4-16-13

COUNTY OF	ITEM NO.	SHEET NO.
SCOTT	7-102.10	R2F

PREPARED BY _____ DATE _____
 CHECKED BY _____ DATE _____
 APPROVED BY _____ DATE _____

ITEM CODE	ITEM	UNIT	ML, APPROACHES & ENTRANCES	SOUND BARRIER WALL	SOUND BARRIER BERM						PROJECT TOTALS
2545	CLEARING AND GRUBBING ①	LS	1								1
2726	STAKING	LS	1								1
5985	SEEDING AND PROTECTION	SQ YD	391,525								391,525
5966	TOPDRESSING FERTILIZER	TON	20.3								20.3
5953	TEMP SEEDING AND PROTECTION ②	SQ YD	117,458								117,458
2701	TEMPORARY SILT FENCE	LF	34,400								34,400
2703	SILT TRAP TYPE A	EACH	100								100
2704	SILT TRAP TYPE B	EACH	100								100
2705	SILT TRAP TYPE C	EACH	100								100
2709	CLEAN TEMPORARY SILT FENCE	LF	103,200								103,200
2706	CLEAN SILT TRAP A	EACH	300								300
2707	CLEAN SILT TRAP B	EACH	300								300
2708	CLEAN SILT TRAP C	EACH	300								300
2230	EMBANKMENT IN PLACE ⑤	CU YD	197,083		120,746						317,829
1810	STANDARD CURB & CUTTER	LF	1,437								1,437
2014	BARRICADE - TYPE III	EACH	51								51
2223	GRANULAR EMBANKMENT ⑦	CU YD	7,407								7,407
2242	WATER (FOR DUST CONTROL)	M GAL	165								165
2351	GUARDRAIL - STEEL W BEAM S FACE	LF	6,325								6,325
2360	GUARDRAIL TERMINAL SECTION NO 1	EACH	2								2
2391	GUARDRAIL END TREATMENT TYPE 4A	EACH	22								22
2367	GUARDRAIL END TREATMENT TYPE 1	EACH	4								4
2381	REMOVE GUARDRAIL	LF	897								897
2313IER701	PIPELINE VIDEO INSPECTION ③	LF	4,474		337						4,811
2429	RIGHT OF WAY MONUMENT TY 1	EACH	134								134
2432	WITNESS POST	EACH	134								134
2483	CHANNEL LINING CL II	TON	5,515		103						5,618
2484	CHANNEL LINING CL III	TON		119	93						212
2562	SIGNS ⑥	SQ FT	173								173
2568	MOBILIZATION	LS	1								1
2569	DEMOBILIZATION	LS	1								1
2599	FABRIC - GEOTEXTILE TY IV ④	SQ YD	68,648								68,648
2600	FABRIC - GEOTEXTILE TY IV FOR PIPE	SQ YD	16,242								16,242
2650	MAINTAIN AND CONTROL TRAFFIC	LS	1								1
2651	DIVERSIONS (BY PASS DETOURS) ⑨	LS	2								2
2671	PORTABLE CHANGEABLE MESSAGE SIGN	EA	4								4
5950	EROSION CONTROL BLANKET	SQ YD	4,169	211	324						4,704
5952	TEMPORARY MULCH	SQ YD	481,580								481,580
20063EN9T	DRY LAID ROCK FENCE ⑪	LF	570								570
2720	SIDEWALK-4 IN CONCRETE	SQ YD	2,959								2,959

EARTHWORK TOTALS

EXCAVATION

210,238 COMMON ⑮

69,835 ROCK

280,073 TOTAL EXCAVATION

EMBANKMENT

255,506 EMB ⑮

48,345 ROCK ROADBED

303,851 TOTAL EMBANKMENT

6,736 BENCH

4,459 ROCK BENCH

2,783 TRANSVERSE BENCH

13,978 TOTAL BENCH

FOR DRAINAGE QUANTITIES - SEE DRAINAGE SUMMARY SHEETS

- ① APPROXIMATELY 99.50 ACRES
- ② ESTIMATED AT 30% OF TOTAL SEEDING & PROTECTION
- ③ 100% OF TOTAL LIN. FEET OF ALL INSTALLED PIPES, REGARDLESS OF MATERIAL TYPE (SEE SUPPLEMENTAL SPECIFICATIONS)
- ④ INCLUDES 11111 SQ YDS TO BE USED AT DISCRETION OF FIELD ENGINEER FOR WORKING PLATFORMS UNDER EMBANKMENTS IN SOFT AREAS
- ⑤ INCLUDES 13,978 CUBIC YARDS BENCH
- ⑥ TEMPORARY SIGNS FOR MAINTENANCE OF TRAFFIC
- ⑦ TO BE USED AT DISCRETION OF FIELD ENGINEER FOR WORKING PLATFORMS UNDER EMBANKMENTS IN SOFT AREAS
- ⑧ ITEMS TO BE USED FOR GRAVITY RETAINING WALL AT LT STA. 15+21 TO LT STA. 16+43
- ⑨ INCLUDES 2 DIVERSIONS LOCATED AT:
LT STA. 28+50 TO LT STA. 34+00
LT STA. 38+50 TO LT STA. 61+96.58
- ⑩ ITEMS FOR TREATMENT OF EMBANKMENT FOR BRIDGE END-BENT
- ⑪ INCLUDES 110 LF FOR MITIGATION. SEE PROPOSAL NOTE
- ⑫ INCLUDES: 204 JAPANESE VIBURNUM
199 SEA GREEN JUNIPER
- ⑬ JAPANESE SILVER GRASS
- ⑭ NORTHERN SEA OATS
- ⑮ INCLUDES 2,461 COMMON AND 120,746 EMBANKMENT FROM SOUND BARRIER WALL EARTHWORK
- ⑯ 10' X 5' RCBC
- ⑰ 9' X 4' RCBC
- ⑱ 6' X 4' RCBC

USER: \$\$\$USER\$\$\$
 DATE: \$\$\$DATE\$\$\$
 FILE NAME: \$\$\$designsfiles\$specifications\$\$\$
 E-SHEET NAME: R0020FSU

GENERAL SUMMARY

COUNTY OF	ITEM NO.	SHEET NO.
SCOTT	7-102.10	R2G

ITEM CODE	ITEM	UNIT	ML, APPROACHES & ENTRANCES	SOUND BARRIER WALL	SOUND BARRIER BERM						PROJECT TOTALS
06510	PAVE STRIPING - TEMP PAINT 4 IN	LF	11,380								11,380
06406	ALUM SHEET SIGN .080 IN	SF	386.23								386.23
06407	ALUM SHEET SIGN .125 IN	SF	226								226
06411	STEEL POST TYPE II	LF	826								826
06514	PAVE STRIPING - PERM PAINT 4 IN	LF	64,346								64,346
06540	PAVE STRIPING - THERMO 4 IN WHITE	LF	1107								1107
06541	PAVE STIPING - THERMO 4 IN YELLOW	LF	554								554
06565	PAVE MARKING - THERMO X-WALK 6 IN	LF	452								452
06568	PAVE MARKING - THERMO STOP BAR 24 IN	LF	255								255
06573	PAVE MARKING - THERMO STR ARROW	EACH	21								21
06574	PAVE MARKING - THERMO CURV ARROW	EACH	60								60
06575	PAVE MARKING - THERMO COMB ARROW	EACH	4								4
23139EN	STRIPING REMOVAL	LF	2,510								2,510
21417ES717	PAVE MARK THERMO CONE CAP - SOLID YELLOW	SF	625								625
10020NS	FUEL ADJUSTMENT	DOLLAR	98,732								98,732
10030NS	ASPHALT ADJUSTMENT	DOLLAR	87,984								87,984
01825	ISLAND CURB AND GUTTER	LF	4,817								4,817
23274ENIIF	TURF REINFORCEMENT MAT TYPE 1	SQ YD	517	1,105	4,522						6,144
001000	4" PERFORATED PIPE (10)	LF	60								60
001002	8" PERFORATED PIPE (10)	LF	280								280
001026	PERFORATED PIPE HEADWALL TY 2-8 INCH (10)	EACH	4								4
00078	CRUSHED AGGREGATE SIZE NO 2 (10)	TON	4								4
20210EP69	COHESIVE PILE CORE (10)	CU YD	616								616
2555	CONCRETE-CLASS B (8)	CU YD	45.11								45.11
8001	STRUCTURE EXCAVATION (8)	CU YD	42								42
02611	HANDRAIL-TYPE A-1 (8)	LF	122								122
06412	STEEL POST MILE MARKERS	EACH	4								4
2342IEC	KARL FOERSTER'S FEATHER REED GRASS	EACH		243							243
5026	EASTERN WHITE PINE	EACH		28							28
21426NS724	NORWAY SPRUCE	EACH		45							45
2045INS724	WHITE OAK	EACH		29							29
20512NS724	RED MAPLE	EACH		42							42
21664NS724	SNOWDRIFT CRABAPPLE	EACH		100							100
2000IES724	SHRUB (12)	EACH		403							403
24558ED	ORNAMENTAL GRASS (13)	EACH		187							187
24559ED	NATIVE GRASS (14)	EACH		234							234
20458ES403	CENTERLINE RUMBLE STRIPS	LF	13,913								13,913
23158ES505	DETECTABLE WARNINGS	SQ FT	90								90
2091	REMOVE PAVEMENT	SQ YD	739								739
2585	EDGE KEY	LF	226								226
2159	TEMPORARY DITCH	LF	17,407	3,200	3,022						23,629

FOR DRAINAGE QUANTITIES -
SEE DRAINAGE SUMMARY SHEETS

- ① APPROXIMATELY 99.50 ACRES
- ② ESTIMATED AT 30% OF TOTAL SEEDING & PROTECTION
- ③ 100% OF TOTAL LIN. FEET OF ALL INSTALLED PIPES, REGARDLESS OF MATERIAL TYPE (SEE SUPPLEMENTAL SPECIFICATIONS)
- ④ INCLUDES 11111 SQ YDS TO BE USED AT DISCRETION OF FIELD ENGINEER FOR WORKING PLATFORMS UNDER EMBANKMENTS IN SOFT AREAS
- ⑤ INCLUDES 13,978 CUBIC YARDS BENCH
- ⑥ TEMPORARY SIGNS FOR MAINTENANCE OF TRAFFIC
- ⑦ TO BE USED AT DISCRETION OF FIELD ENGINEER FOR WORKING PLATFORMS UNDER EMBANKMENTS IN SOFT AREAS
- ⑧ ITEMS TO BE USED FOR GRAVITY RETAINING WALL AT LT STA. 15+21 TO LT STA. 16+43
- ⑨ INCLUDES 2 DIVERSIONS LOCATED AT:
LT STA. 28+50 TO LT STA. 34+00
LT STA. 38+50 TO LT STA. 61+96.58
- ⑩ ITEMS FOR TREATMENT OF EMBANKMENT FOR BRIDGE END-BENT
- ⑪ INCLUDES 110 LF FOR MITIGATION. SEE PROPOSAL NOTE
- ⑫ INCLUDES: 204 JAPANESE VIBURNUM
199 SEA GREEN JUNIPER
- ⑬ JAPANESE SILVER GRASS
- ⑭ NORTHERN SEA OATS
- ⑮ INCLUDES 2,461 COMMON AND 120,746 EMBANKMENT FROM SOUND BARRIER WALL EARTHWORK
- ⑯ 10' X 5' RCBC
- ⑰ 9' X 4' RCBC
- ⑱ 6' X 4' RCBC

GENERAL SUMMARY

FILE NAME: G:\PWORK\MICHAEL.WEITLAUF\00750553\ROO200SU.DGN

USER: michael.weitlauf
DATE PLOTTED: April 16, 2013

E-SHEET NAME: ROO200SU

MicroStation v8.11.7.443

GENERAL SUMMARY

REVISED 4-16-13

COUNTY OF	ITEM NO.	SHEET NO.
SCOTT	7-102.10	R2C

ITEM CODE	ITEM	UNIT	ML, APPROACHES & ENTRANCES	SOUND BARRIER WALL	SOUND BARRIER BERM						PROJECT TOTALS
06510	PAVE STRIPING - TEMP PAINT 4 IN	LF	11,380								11,380
06406	ALUM SHEET SIGN .080 IN	SF	386.23								386.23
06407	ALUM SHEET SIGN .125 IN	SF	226								226
06411	STEEL POST TYPE II	LF	826								826
06514	PAVE STRIPING - PERM PAINT 4 IN	LF	64,346								64,346
06540	PAVE STRIPING - THERMO 4 IN WHITE	LF	1107								1107
06541	PAVE STIPING - THERMO 4 IN YELLOW	LF	554								554
06565	PAVE MARKING - THERMO X-WALK 6 IN	LF	452								452
06568	PAVE MARKING - THERMO STOP BAR 24 IN	LF	255								255
06573	PAVE MARKING - THERMO STR ARROW	EACH	21								21
06574	PAVE MARKING - THERMO CURV ARROW	EACH	60								60
06575	PAVE MARKING - THERMO COMB ARROW	EACH	4								4
23139EN	STRIPING REMOVAL	LF	2,510								2,510
21417ES717	PAVE MARK THERMO CONE CAP - SOLID YELLOW	SF	625								625
10020NS	FUEL ADJUSTMENT	DOLLAR	98,732								98,732
10030NS	ASPHALT ADJUSTMENT	DOLLAR	87,984								87,984
01825	ISLAND CURB AND GUTTER	LF	4,817								4,817
23274ENIIF	TURF REINFORCEMENT MAT TYPE 1	SQ YD	517	1,105	4,522						6,144
001000	4" PERFORATED PIPE (10)	LF	60								60
001002	8" PERFORATED PIPE (10)	LF	280								280
001026	PERFORATED PIPE HEADWALL TY 2-8 INCH (10)	EACH	4								4
00078	CRUSHED AGGREGATE SIZE NO 2 (10)	TON	4								4
20210EP69	COHESIVE PILE CORE (10)	CU YD	616								616
2555	CONCRETE-CLASS B (8)	CU YD	45.11								45.11
8001	STRUCTURE EXCAVATION (8)	CU YD	42								42
02611	HANDRAIL-TYPE A-1 (8)	LF	122								122
06412	STEEL POST MILE MARKERS	EACH	4								4
2342IEC	KARL FOERSTER'S FEATHER REED GRASS	EACH		243							243
5026	EASTERN WHITE PINE	EACH		28							28
21426NS724	NORWAY SPRUCE	EACH		45							45
2045INS724	WHITE OAK	EACH		29							29
20512NS724	RED MAPLE	EACH		42							42
21664NS724	SNOWDRIFT CRABAPPLE	EACH		100							100
2000IES724	SHRUB (12)	EACH		403							403
24558ED	ORNAMENTAL GRASS (13)	EACH		187							187
24559ED	NATIVE GRASS (14)	EACH		234							234
20458ES403	CENTERLINE RUMBLE STRIPS	LF	13,913								13,913
23158ES505	DETECTABLE WARNINGS	SQ FT	90								90
2091	REMOVE PAVEMENT	SQ YD	739								739
2585	EDGE KEY	LF	226								226
2159	TEMPORARY DITCH	LF	17,407	3,200	3,022						23,629

FOR DRAINAGE QUANTITIES -
SEE DRAINAGE SUMMARY SHEETS

- ① APPROXIMATELY 99.50 ACRES
- ② ESTIMATED AT 30% OF TOTAL SEEDING & PROTECTION
- ③ 100% OF TOTAL LIN. FEET OF ALL INSTALLED PIPES, REGARDLESS OF MATERIAL TYPE (SEE SUPPLEMENTAL SPECIFICATIONS)
- ④ INCLUDES 11111 SQ YDS TO BE USED AT DISCRETION OF FIELD ENGINEER FOR WORKING PLATFORMS UNDER EMBANKMENTS IN SOFT AREAS
- ⑤ INCLUDES 13,978 CUBIC YARDS BENCH
- ⑥ TEMPORARY SIGNS FOR MAINTENANCE OF TRAFFIC
- ⑦ TO BE USED AT DISCRETION OF FIELD ENGINEER FOR WORKING PLATFORMS UNDER EMBANKMENTS IN SOFT AREAS
- ⑧ ITEMS TO BE USED FOR GRAVITY RETAINING WALL AT LT STA. 15+21 TO LT STA. 16+43
- ⑨ INCLUDES 2 DIVERSIONS LOCATED AT:
LT STA. 28+50 TO LT STA. 34+00
LT STA. 38+50 TO LT STA. 61+96.58
- ⑩ ITEMS FOR TREATMENT OF EMBANKMENT FOR BRIDGE END-BENT
- ⑪ INCLUDES 110 LF FOR MITIGATION. SEE PROPOSAL NOTE
- ⑫ INCLUDES: 204 JAPANESE VIBURNUM
199 SEA GREEN JUNIPER
- ⑬ JAPANESE SILVER GRASS
- ⑭ NORTHERN SEA OATS
- ⑮ INCLUDES 2,461 COMMON AND 120,746 EMBANKMENT FROM SOUND BARRIER WALL EARTHWORK
- ⑯ 10' X 5' RCBC
- ⑰ 9' X 4' RCBC
- ⑱ 6' X 4' RCBC

FILE NAME: G:\PWORK\MICHAEL.WEITLAUF\00750553\ROO200SU.DGN

USER: michael.weitlauf
DATE PLOTTED: April 16, 2013

E-SHEET NAME: ROO200SU

MicroStation v8.11.7.443

CONDITION NO. 1: SOIL EMBANKMENT OVER DEEP OVERBURDEN WITH OPEN SINKHOLES

DETAIL "1 A"

PROCEDURE:

- REMOVE DEBRIS. DO NOT EXCAVATE SOIL OVERBURDEN.
- LINE OPENING WITH TYPE IV GEOTEXTILE FABRIC.
- REFILL WITH GRANULAR EMBANKMENT.
- PLACE TYPE IV GEOTEXTILE FABRIC ON TOP OF GRANULAR EMBANKMENT.
- REFILL WITH (2' MINIMUM) CLAY SOIL CAP.

CONDITION NO. 2: SOIL EMBANKMENT OVER SHALLOW OVERBURDEN WITH SINKHOLE OPENING IN ROCK

PROCEDURE FOR ALTERNATE NO. 2A

- REMOVE DEBRIS AND SOIL OVERBURDEN.
- REFILL OPENING WITH GRANULAR EMBANKMENT TO 2' MIN. BELOW ROCK LINE.
- PLACE TYPE IV GEOTEXTILE FABRIC ON TOP OF GRANULAR EMB. OVERLAPPING ORIG. GROUND LINE.
- REFILL WITH (2' MIN.) CLAY SOIL CAP.

PROCEDURE FOR ALTERNATE NO. 2B

- REMOVE DEBRIS AND SOIL OVERBURDEN.
- REFILL OPENING WITH GRANULAR EMBANKMENT TO 1' MIN. BELOW ROCK LINE.
- CONST. 1' REINFORCED CONC. CAP. CAP SHOULD BE INTERLOCKED WITH ROCK FOR SUPPORT.

CONDIT. NO.3: ROCK EMB. OVER DEEP OVERBURDEN WITH OPEN SINKHOLES

PROCEDURE:

- REMOVE DEBRIS. DO NOT EXCAVATE SOIL OVERBURDEN.
- LINE OPENING WITH TYPE IV GEOTEXTILE FABRIC.
- REFILL OPENING WITH GRANULAR EMBANKMENT TO TOP OF DEPRESSION.

CONDITION NO. 4: ROCK EMBANKMENT OVER SHALLOW OVERBURDEN WITH SINKHOLE OPENINGS IN ROCK

ALTERNATE NO. 4A

PROCEDURE FOR ALTERNATE NO. 4A

- REMOVE DEBRIS AND SOIL OVERBURDEN.
- REFILL OPENING TO ROCK LINE WITH GRANULAR EMBANKMENT.

PROCEDURE FOR ALTERNATE NO. 4B

- REMOVE DEBRIS AND SOIL OVERBURDEN.
- REFILL OPENING WITH GRANULAR EMBANKMENT TO 1' MIN. BELOW ROCK LINE.
- CONST. 1' REINFORCED CONC. CAP. CAP SHOULD BE INTERLOCKED WITH ROCK FOR SUPPORT.

CONDITION NO. 5: CUT SECTIONS WITH SINKHOLE OPENINGS IN ROCK

ALTERNATE NO. 5A

PROCEDURE FOR ALTERNATE NO. 5A

- REFILL OPENING WITH GRANULAR EMBANKMENT. IF CONCRETE CAP IS USED IT SHALL BE INTERLOCKED WITH THE BEDROCK FOR SUPPORT AS DETAILED IN CONDITION NO. 2 ALTERNATE NO. 2B.

PROCEDURE FOR ALTERNATE NO. 5B

- REFILL OPENING WITH GRANULAR EMBANKMENT TO 2' MINIMUM BELOW SOIL SUBGRADE.
- PLACE TYPE IV GEOTEXTILE FABRIC OVER GRANULAR EMBANKMENT.
- REFILL WITH (2' MIN.) CLAY SOIL CAP. IF CONCRETE CAP IS USED THE FABRIC SHALL BE OMITTED AND CAP SHALL BE INTERLOCKED WITH THE BEDROCK FOR SUPPORT AS DETAILED IN COND. NO. 2 ALTERNATE NO. 2B.

CONDITION NO. 6: CUT SECTIONS WITH SINKHOLE OPENINGS IN SOIL

ALTERNATE NO. 6A SOIL OVERBURDEN GREATER THAN 15'

- REMOVE DEBRIS. DO NOT EXCAVATE SOIL OVERBURDEN.
- LINE OPENING WITH TYPE IV GEOTEXTILE FABRIC.
- REFILL WITH GRANULAR EMB.
- PLACE TYPE IV GEOTEXTILE FABRIC OVER GRANULAR EMBANKMENT OVERLAPPING ORIG. GROUND LINE.
- REFILL WITH (2' MIN.) CLAY SOIL CAP. IF ROCK SUBGRADE IS USED OMIT SOIL CAP AND FABRIC UNDERLYING SOIL CAP.

ALTERNATE NO. 6B SOIL OVERBURDEN LESS THAN 15'

- REMOVE DEBRIS AND SOIL OVERBURDEN.
- REFILL OPENING WITH GRANULAR EMBANKMENT TO 2' MIN. BELOW ROCK LINE.
- PLACE TYPE IV GEOTEXTILE FABRIC OVER GRANULAR EMB. OVERLAPPING ORIG. GROUND LINE.
- REFILL WITH (2' MIN.) CLAY SOIL CAP. IF CONCRETE CAP IS USED THE FABRIC SHALL BE OMITTED AND CAP SHALL BE INTERLOCKED WITH THE BEDROCK FOR SUPPORT AS DETAILED IN COND. NO. 2 ALTERNATE NO. 2B.

THE CONC. CAP SHALL BE CLASS "B" CONC. AND CONTAIN NO. 8 REINFORCING BARS PLACED AT 12" CTRS. IN BOTH DIRECTIONS AND LOCATED 3" FROM THE BOTTOM SURFACE OF THE CAP.

FILE NAME: G:\PWORK\JEFF.LAIL\00512631\SEPIA_003.DGN
 USER: Jeff.Lail
 DATE PLOTTED: August 17, 2012
 E-SHEET NAME:
 MicroStation v8.1i.7.180

REVISED 4-16-13

CONDITION NO. 1: SOIL EMBANKMENT OVER DEEP OVERBURDEN WITH OPEN SINKHOLES

ORIGINAL GROUND LINE SEE DETAIL "1 A" MAINTAIN POSITIVE DRAINAGE

SOIL EMB. CLAY SOIL CAP GRANULAR EMBANKMENT

TYPE IV GEOTEXTILE FABRIC SOIL OVERBURDEN > 15'

SOIL EMBANKMENT ROCK LINE

EXIST. SOIL CLAY SOIL CAP (2' MIN.) TYPE IV GEOTEXTILE FABRIC GRANULAR EMB.

DETAIL "1 A"

PROCEDURE:

- REMOVE DEBRIS. DO NOT EXCAVATE SOIL OVERBURDEN.
- LINE OPENING WITH TYPE IV GEOTEXTILE FABRIC.
- REFILL WITH GRANULAR EMBANKMENT.
- PLACE TYPE IV GEOTEXTILE FABRIC ON TOP OF GRANULAR EMBANKMENT.
- REFILL WITH (2' MINIMUM) CLAY SOIL CAP.

CONDITION NO. 2: SOIL EMBANKMENT OVER SHALLOW OVERBURDEN WITH SINKHOLE OPENING IN ROCK

ORIGINAL GROUND LINE SEE ALTERNATE NO. 2A & NO. 2B MAINTAIN POSITIVE DRAINAGE

SOIL EMB. CLAY SOIL CAP (2' MIN.) SOIL EMB. 1' REINFORCED CONCRETE CAP

TYPE IV GEOTEXTILE FABRIC GRANULAR EMB. GRANULAR EMB.

SOIL OVERBURDEN < 15' ROCK LINE EXIST. SOIL (CONC. CAP)

SOIL EMB. GRANULAR EMB. ROCK LINE

EXIST. SOIL (CLAY SOIL CAP) ALTERNATE NO. 2A

EXIST. SOIL (CONC. CAP) ALTERNATE NO. 2B

PROCEDURE FOR ALTERNATE NO. 2A

- REMOVE DEBRIS AND SOIL OVERBURDEN.
- REFILL OPENING WITH GRANULAR EMBANKMENT TO 2' MIN. BELOW ROCK LINE.
- PLACE TYPE IV GEOTEXTILE FABRIC ON TOP OF GRANULAR EMB. OVERLAPPING ORIG. GROUND LINE.
- REFILL WITH (2' MIN.) CLAY SOIL CAP.

PROCEDURE FOR ALTERNATE NO. 2B

- REMOVE DEBRIS AND SOIL OVERBURDEN.
- REFILL OPENING WITH GRANULAR EMBANKMENT TO 1' MIN. BELOW ROCK LINE.
- CONST. 1' REINFORCED CONC. CAP. CAP SHOULD BE INTERLOCKED WITH ROCK FOR SUPPORT.

CONDIT. NO. 3: ROCK EMB. OVER DEEP OVERBURDEN WITH OPEN SINKHOLES

ORIGINAL GROUND LINE ROCK EMBANKMENT

TYPE IV GEOTEXTILE FABRIC GRANULAR EMB. GRANULAR EMB.

SOIL OVERBURDEN > 15' ROCK LINE

PROCEDURE:

- REMOVE DEBRIS. DO NOT EXCAVATE SOIL OVERBURDEN.
- LINE OPENING WITH TYPE IV GEOTEXTILE FABRIC.
- REFILL OPENING WITH GRANULAR EMBANKMENT TO TOP OF DEPRESSION.

CONDITION NO. 4: ROCK EMBANKMENT OVER SHALLOW OVERBURDEN WITH SINKHOLE OPENINGS IN ROCK

ORIGINAL GROUND LINE SEE ALTN. 4B SEE ALTN. 4A MAINTAIN POSITIVE DRAINAGE

ROCK EMB. GRANULAR EMB. GRANULAR EMB.

TYPE IV GEOTEXTILE FABRIC SOIL OVERBURDEN < 15'

SOIL OVERBURDEN < 15' ROCK LINE EXIST. SOIL (CONC. CAP)

EXIST. SOIL ROCK EMB. 1' REINFORCED CONCRETE CAP EXIST. SOIL

ROCK LINE ALTERNATE NO. 4A

ROCK LINE (CONC. CAP) ALTERNATE NO. 4B

PROCEDURE FOR ALTERNATE NO. 4A

- REMOVE DEBRIS AND SOIL OVERBURDEN.
- REFILL OPENING TO ROCK LINE WITH GRANULAR EMBANKMENT.

PROCEDURE FOR ALTERNATE NO. 4B

- REMOVE DEBRIS AND SOIL OVERBURDEN.
- REFILL OPENING WITH GRANULAR EMBANKMENT TO 1' MIN. BELOW ROCK LINE.
- CONST. 1' REINFORCED CONC. CAP. CAP SHOULD BE INTERLOCKED WITH ROCK FOR SUPPORT.

CONDITION NO. 5: CUT SECTIONS WITH SINKHOLE OPENINGS IN ROCK

EXIST. SOIL ROCK LINE SEE ALTN. 5A OR SEE ALTN. 5B

ROCK LINE ROCK ROADBED SOIL SUBGRADE

TYPE IV GEOTEXTILE FABRIC GRANULAR EMB. GRANULAR EMB.

SOIL OVERBURDEN < 15' CLAY SOIL CAP (2' MIN.)

EXIST. SOIL (ROCK ROADBED) ALTERNATE NO. 5A

EXIST. SOIL (SOIL SUBGRADE) ALTERNATE NO. 5B

PROCEDURE FOR ALTERNATE NO. 5A

- REFILL OPENING WITH GRANULAR EMBANKMENT. IF CONCRETE CAP IS USED IT SHALL BE INTERLOCKED WITH THE BEDROCK FOR SUPPORT AS DETAILED IN CONDITION NO. 2 ALTERNATE NO. 2B.

PROCEDURE FOR ALTERNATE NO. 5B

- REFILL OPENING WITH GRANULAR EMBANKMENT TO 2' MINIMUM BELOW SOIL SUBGRADE.
- PLACE TYPE IV GEOTEXTILE FABRIC OVER GRANULAR EMBANKMENT.
- REFILL WITH (2' MIN.) CLAY SOIL CAP. IF CONCRETE CAP IS USED THE FABRIC SHALL BE OMITTED AND CAP SHALL BE INTERLOCKED WITH THE BEDROCK FOR SUPPORT AS DETAILED IN COND. NO. 2 ALTERNATE NO. 2B.

CONDITION NO. 6: CUT SECTIONS WITH SINKHOLE OPENINGS IN SOIL

ORIGINAL GROUND LINE SEE ALTN. 6A SEE ALTN. 6B SOIL OVERBURDEN WITH LIMESTONE BOULDERS

TYPE IV GEOTEXTILE FABRIC GRANULAR EMB. GRANULAR EMB.

SOIL OVERBURDEN < 15' ROCK LINE SOIL OVERBURDEN < 15'

SOIL SUBGRADE SINKHOLE EXCAVATION SLOPE SOIL

EXIST. SOIL (CONC. CAP) ALTERNATE NO. 6A

EXIST. SOIL (CONC. CAP) ALTERNATE NO. 6B

ALTERNATE NO. 6A SOIL OVERBURDEN GREATER THAN 15'

- REMOVE DEBRIS. DO NOT EXCAVATE SOIL OVERBURDEN.
- LINE OPENING WITH TYPE IV GEOTEXTILE FABRIC.
- REFILL WITH GRANULAR EMB.
- PLACE TYPE IV GEOTEXTILE FABRIC OVER GRANULAR EMBANKMENT OVERLAPPING ORIG. GROUND LINE.
- REFILL WITH (2' MIN.) CLAY SOIL CAP. IF ROCK SUBGRADE IS USED OMIT SOIL CAP AND FABRIC UNDERLYING SOIL CAP.

ALTERNATE NO. 6B SOIL OVERBURDEN LESS THAN 15'

- REMOVE DEBRIS AND SOIL OVERBURDEN.
- REFILL OPENING WITH GRANULAR EMBANKMENT TO 2' MIN. BELOW ROCK LINE.
- PLACE TYPE IV GEOTEXTILE FABRIC OVER GRANULAR EMB. OVERLAPPING ORIG. GROUND LINE.
- REFILL WITH (2' MIN.) CLAY SOIL CAP. IF CONCRETE CAP IS USED THE FABRIC SHALL BE OMITTED AND CAP SHALL BE INTERLOCKED WITH THE BEDROCK FOR SUPPORT AS DETAILED IN COND. NO. 2 ALTERNATE NO. 2B.

THE CONC. CAP SHALL BE CLASS "B" CONC. AND CONTAIN NO. 8 REINFORCING BARS PLACED AT 12" CTRS. IN BOTH DIRECTIONS AND LOCATED 3" FROM THE BOTTOM SURFACE OF THE CAP.

SHEET ADDED.

FILE NAME: G:\PWORK\JEFF.LAIL\00512631\SEPIA_003.DGN
 USER: Jeff.Lail
 DATE PLOTTED: August 17, 2012
 E-SHEET NAME:
 MicroStation v8.11.7.180

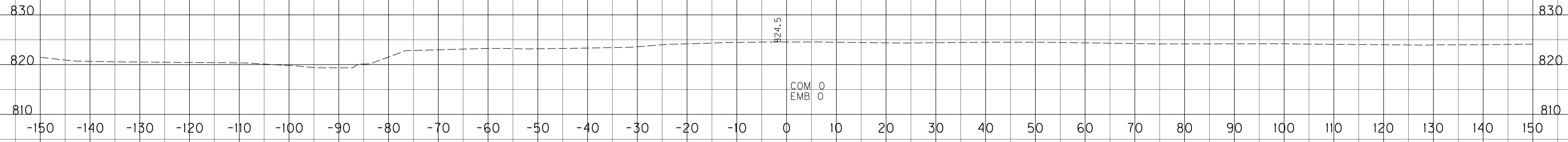
KENTUCKY
DEPARTMENT OF HIGHWAYS
TREATMENT
OF
OPEN SINKHOLES

SUBMITTED *William S. Gallo* 12-1-99
TECH. DIVISION OF HIGHWAY DESIGN DATE

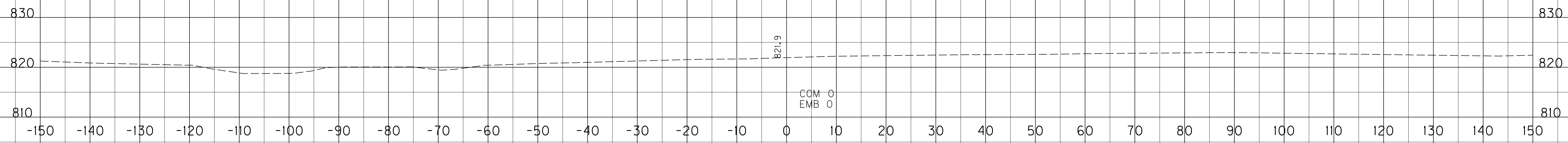
003

BENCH ROCK BENCH COM ROCK EMB

PREPARED BY _____ DATE _____
 CHECKED BY _____ DATE _____
 APPROVED BY _____ DATE _____

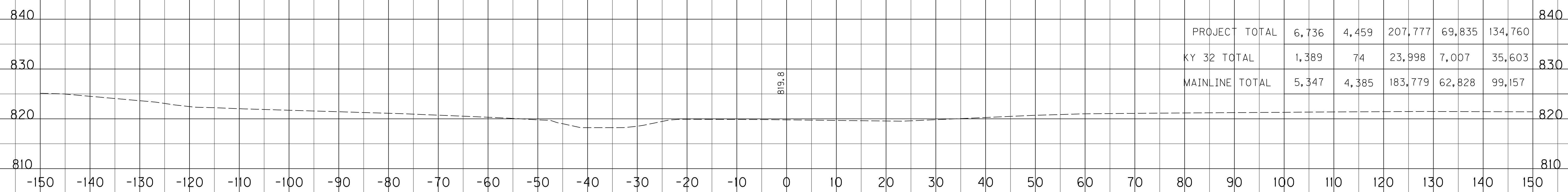


146+50



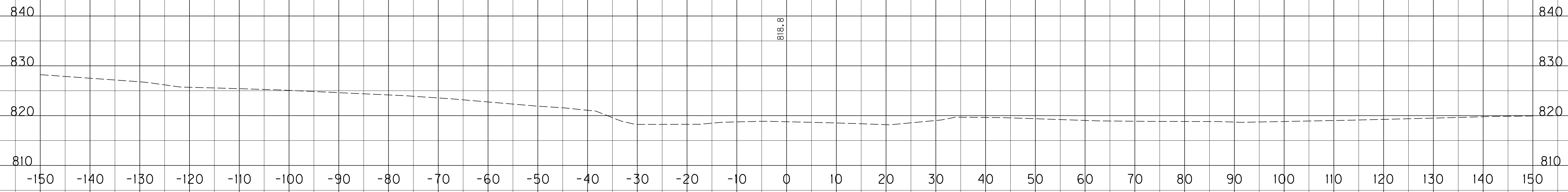
146+00

PROJECT TOTAL	6,736	4,459	207,777	69,835	134,760
KY 32 TOTAL	1,389	74	23,998	7,007	35,603
MAINLINE TOTAL	5,347	4,385	183,779	62,828	99,157



145+50

SHEET TOTAL 130+00 TO 145+00	0	0	26,461	33,796	2,585
------------------------------	---	---	--------	--------	-------



145+00

USER: \$\$\$USER\$\$\$
 DATE: \$\$\$DATE\$\$\$
 FILE NAME: \$\$\$designsfiles\$\$\$specifications\$\$\$
 E-SHEET NAME: X10600XS

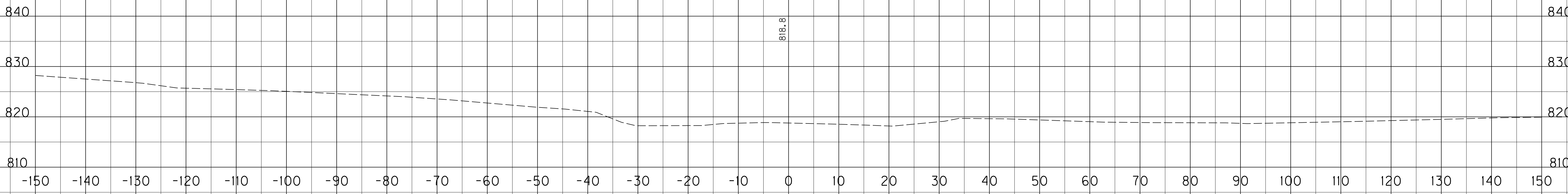
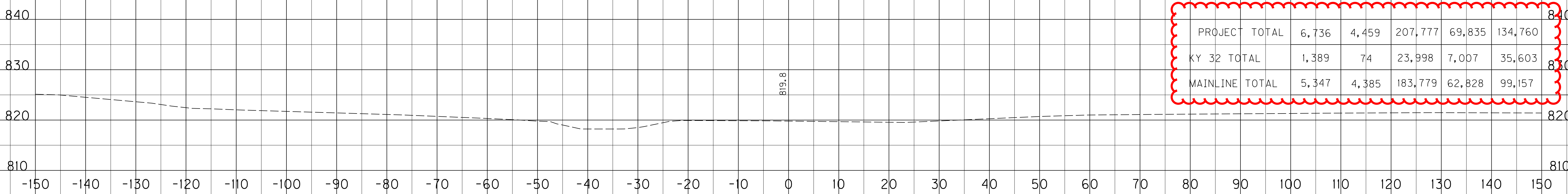
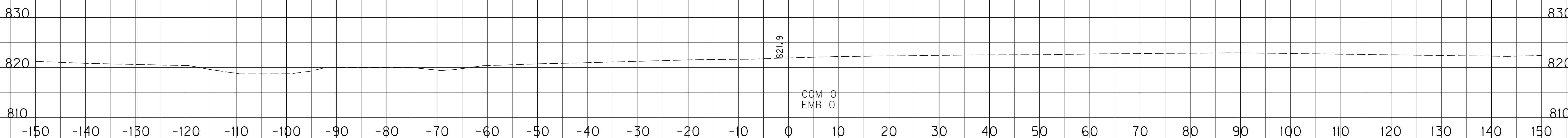
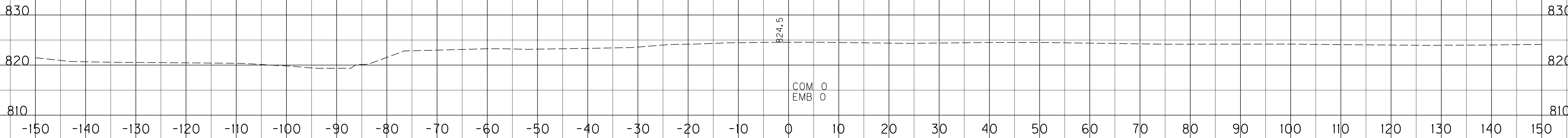
SCALE: 1" = 10'
 1" = 10'
 HORIZONTAL
 VERTICAL

STA.145+00 TO STA.146+50

REVISED 4-16-13

COUNTY OF	ITEM NO.	SHEET NO.
SCOTT	7-102.10	X106

PREPARED BY _____ DATE _____
 CHECKED BY _____ DATE _____
 APPROVED BY _____ DATE _____



REVISED 4-16-13

PROJECT TOTAL	6,736	4,459	207,777	69,835	134,760
KY 32 TOTAL	1,389	74	23,998	7,007	35,603
MAINLINE TOTAL	5,347	4,385	183,779	62,828	99,157

SHEET TOTAL 130+00 TO 145+00 0 0 26,461 33,796 2,585

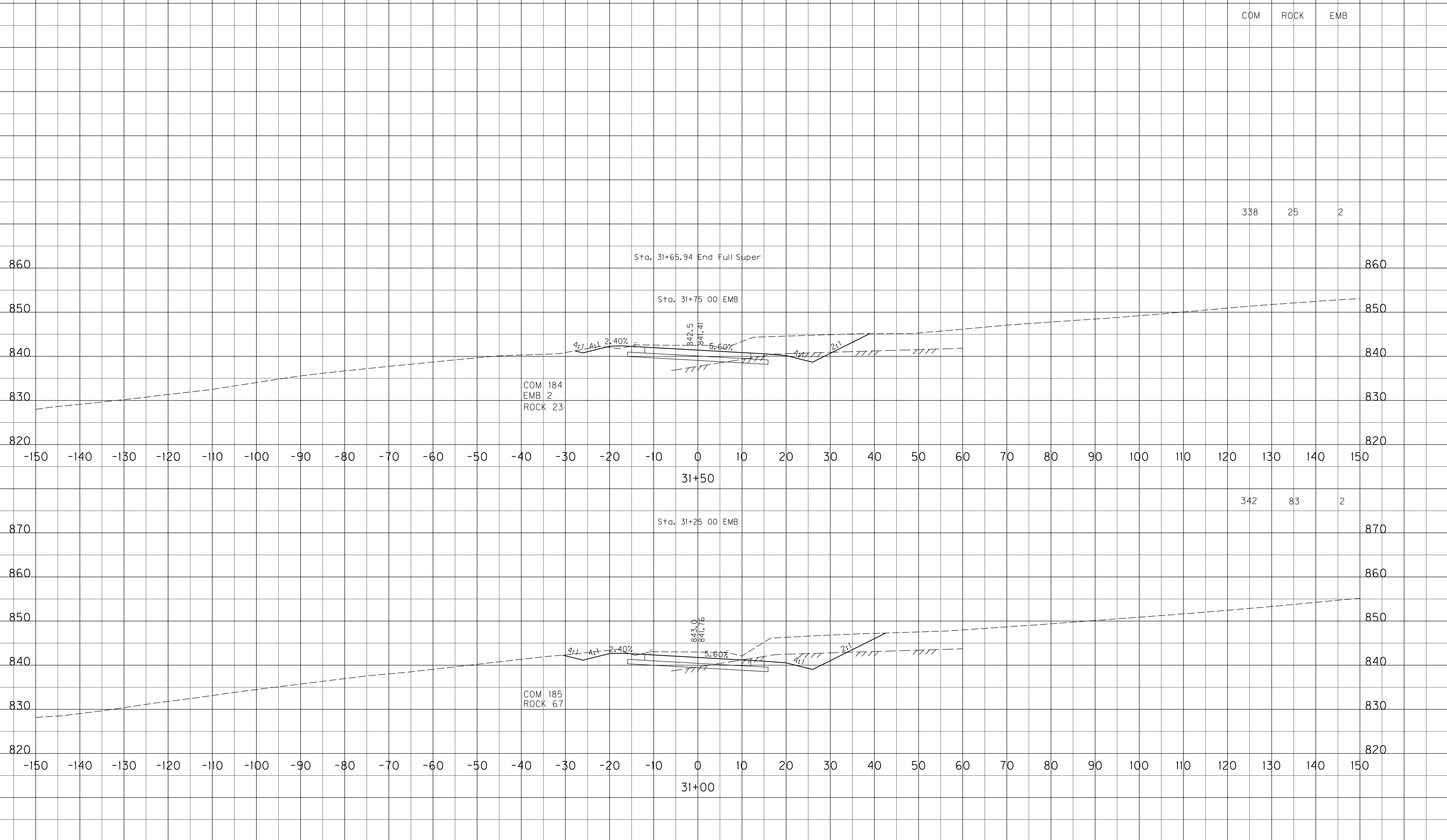
USER: \$\$\$USER\$\$\$
 DATE: \$\$\$DATE\$\$\$
 FILE NAME: \$\$\$designsfiles\$\$\$specifications\$\$\$
 E-SHEET NAME: X10600XS

SCALE: 1" = 10'
 1" = 10'

HORIZONTAL
 VERTICAL

STA.145+00 TO STA.146+50

PREPARED BY _____ DATE _____
 CHECKED BY _____ DATE _____
 APPROVED BY _____ DATE _____



USER: \$\$\$USER\$\$\$
 DATE: \$\$\$DATE\$\$\$
 FILE NAME: \$\$\$designsfiles\$\$\$specifications\$\$\$
 E-SHEET NAME: X12700XS

SCALE: 1" = 10'
 1" = 10'
 HORIZONTAL
 VERTICAL

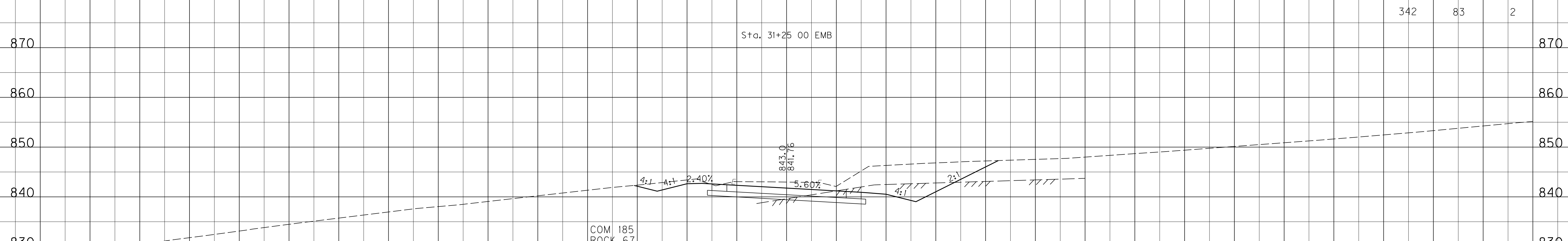
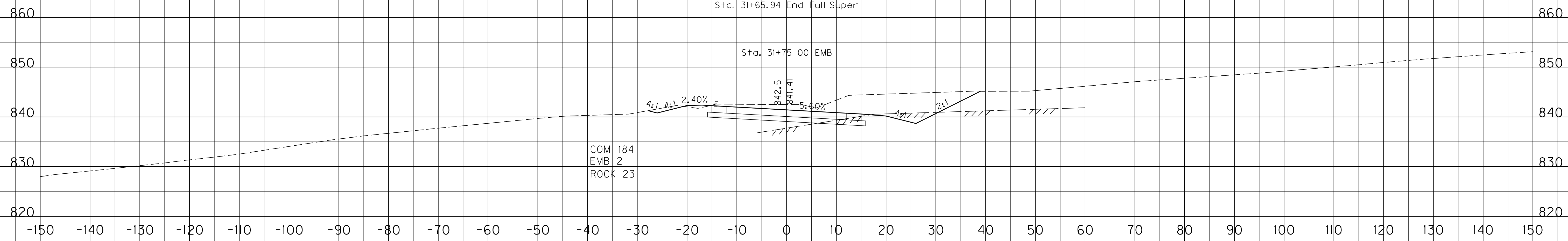
KY 32 - STA. 31+00 TO STA. 31+50

REVISED 4-16-13

COUNTY OF	ITEM NO.	SHEET NO.
SCOTT	7-102.10	X127

PREPARED BY _____ DATE _____
 CHECKED BY _____ DATE _____
 APPROVED BY _____ DATE _____

COM	ROCK	EMB
338	25	2



COM	ROCK	EMB
342	83	2

USER: \$\$\$USER\$\$\$
 DATE: \$\$\$DATE\$\$\$
 FILE NAME: \$\$\$designsfiles\$\$\$specifications\$\$\$
 E-SHEET NAME: X12700XS

SCALE: 1" = 10'
 1" = 10'
 HORIZONTAL
 VERTICAL

KY 32 - STA. 31+00 TO STA. 31+50

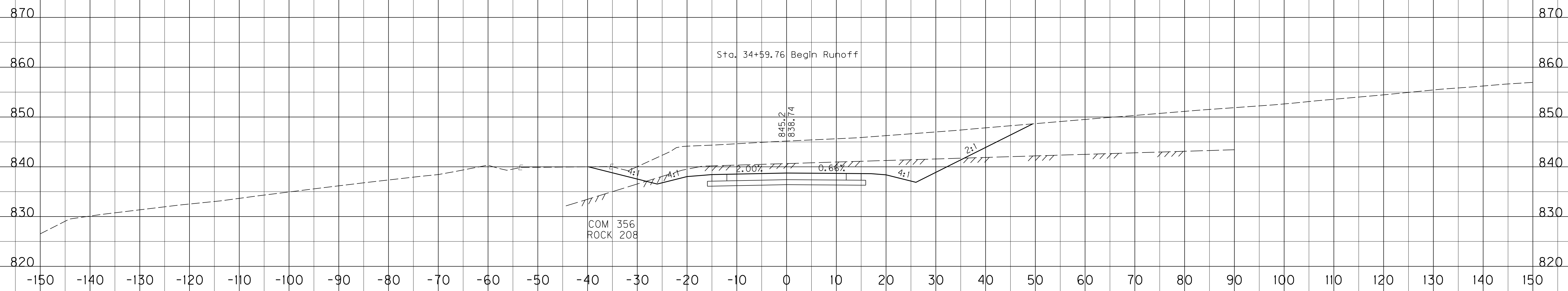
PREPARED BY _____ DATE _____
 CHECKED BY _____ DATE _____
 APPROVED BY _____ DATE _____

COM ROCK EMB

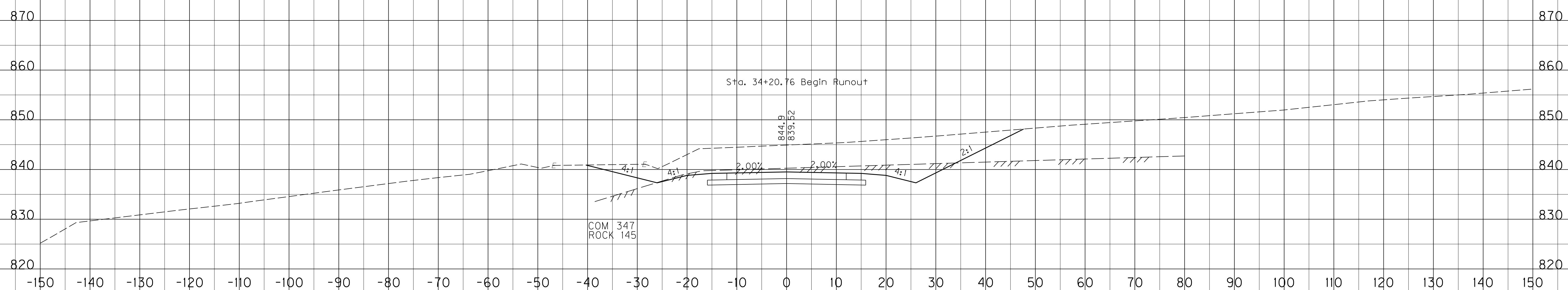
PLAN SHEET TOTALS STA. 28+00 TO STA. 35+00

5,066 1,312 77

647 469



651 327



SCALE: 1" = 10' HORIZONTAL
1" = 10' VERTICAL

KY 32 - STA. 34+00 TO STA. 34+50

USER: \$\$\$USER\$\$\$
 DATE: \$\$\$DATE\$\$\$
 FILE NAME: \$\$\$designsfiles\$\$\$specifications\$\$\$
 E-SHEET NAME: X13000XS

REVISED 4-16-13

COUNTY OF	ITEM NO.	SHEET NO.
SCOTT	7-102.10	X130

PREPARED BY _____ DATE _____
 CHECKED BY _____ DATE _____
 APPROVED BY _____ DATE _____

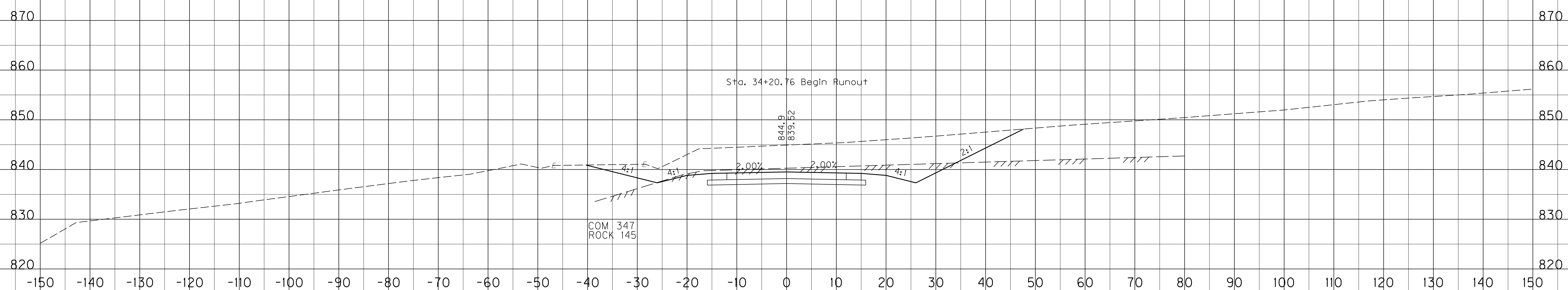
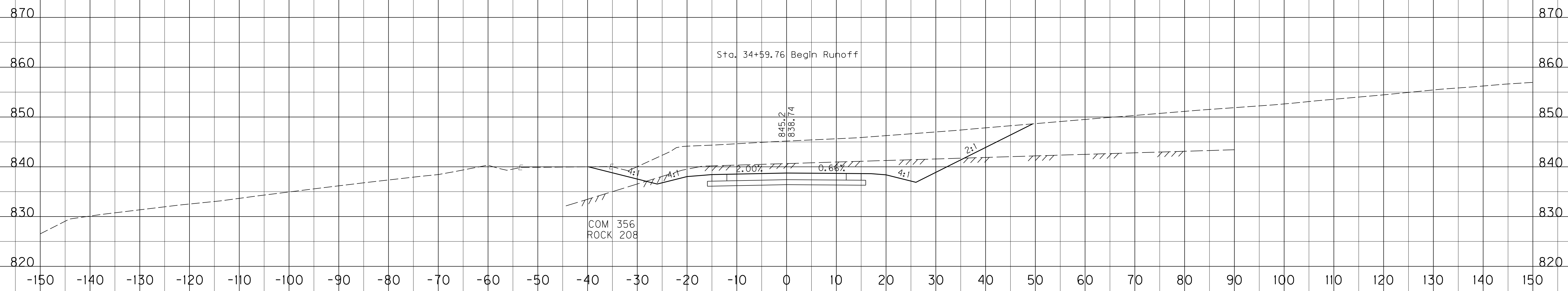
PLAN SHEET TOTALS STA. 28+00 TO STA. 35+00

5,066	1,312	77
-------	-------	----

COM	ROCK	EMB
-----	------	-----

647	469
-----	-----

651	327
-----	-----



SCALE: 1" = 10'
 1" = 10'

HORIZONTAL
 VERTICAL

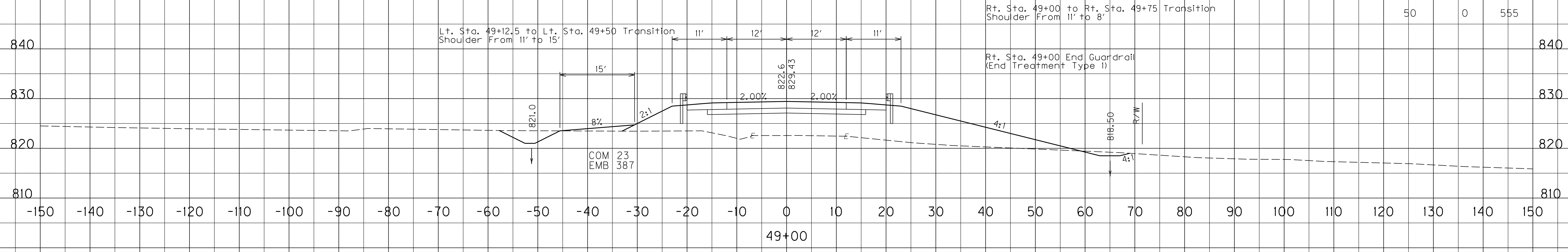
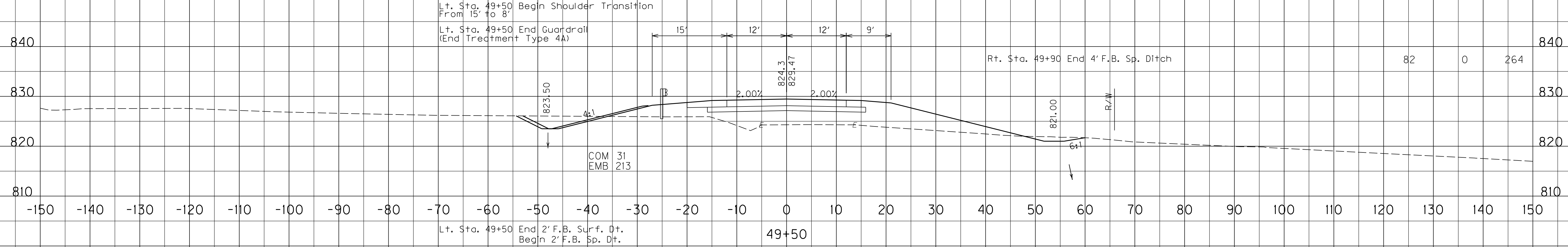
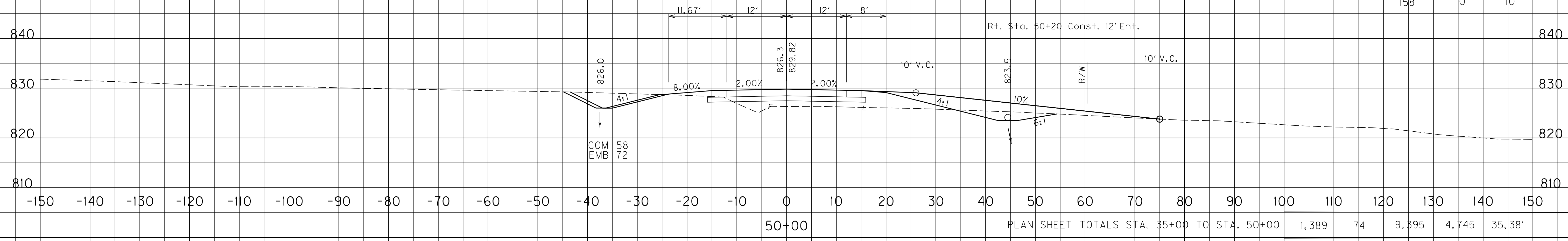
KY 32 - STA. 34+00 TO STA. 34+50

USER: \$\$\$USER\$\$\$
 DATE: \$\$\$DATE\$\$\$
 FILE NAME: \$\$\$designsfiles\$\$\$specifications\$\$\$
 E-SHEET NAME: X13000XS

BENCH ROCK BENCH COM ROCK EMB

• 0 0 40
158 0 10

PREPARED BY _____ DATE _____
 CHECKED BY _____ DATE _____
 APPROVED BY _____ DATE _____



USER: \$\$\$USER\$\$\$
 DATE: \$\$\$DATE\$\$\$
 FILE NAME: \$\$\$designsfiles\$\$\$
 E-SHEET NAME: X14500XS

SCALE: 1" = 10'
 1" = 10'

HORIZONTAL
 VERTICAL

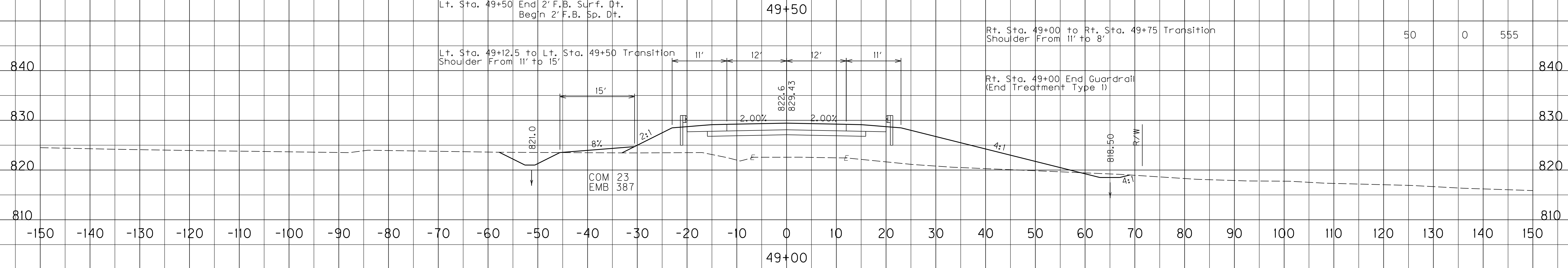
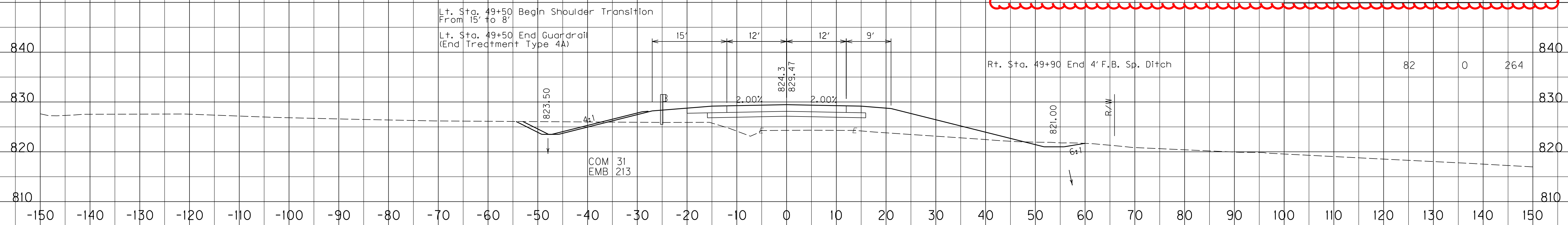
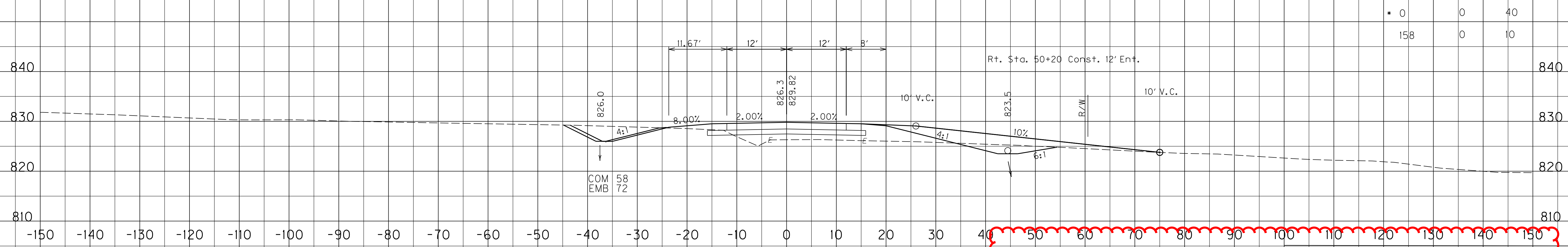
KY 32 - STA. 49+00 TO STA. 50+00

REVISED 4-16-13

COUNTY OF	ITEM NO.	SHEET NO.
SCOTT	7-102.10	X145

PREPARED BY _____ DATE _____
 CHECKED BY _____ DATE _____
 APPROVED BY _____ DATE _____

BENCH ROCK BENCH COM ROCK EMB



USER: \$\$\$USER\$\$\$
 DATE: \$\$\$DATE\$\$\$
 FILE NAME: \$\$\$designsfiles\$\$\$
 E-SHEET NAME: X14500XS

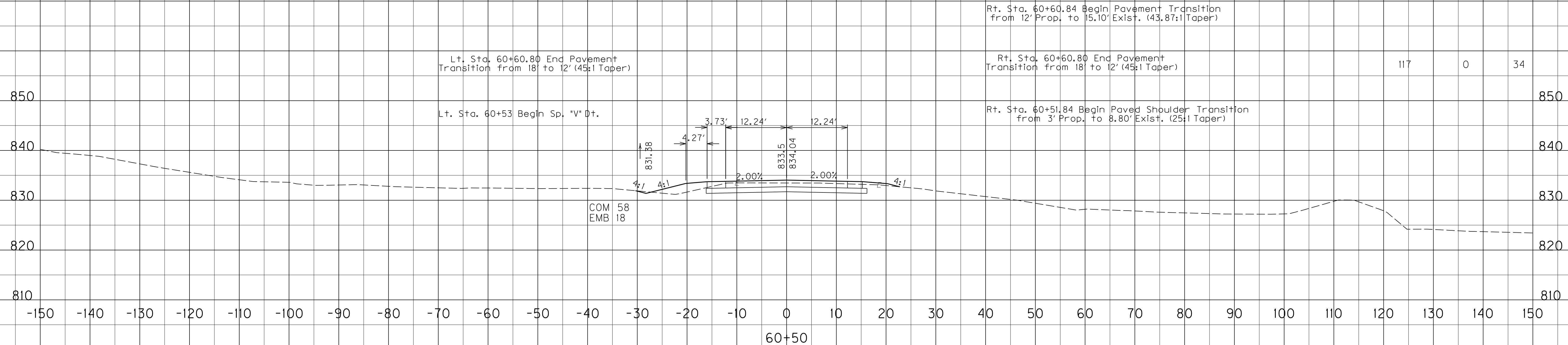
SCALE: 1" = 10'
 1" = 10'

HORIZONTAL
 VERTICAL

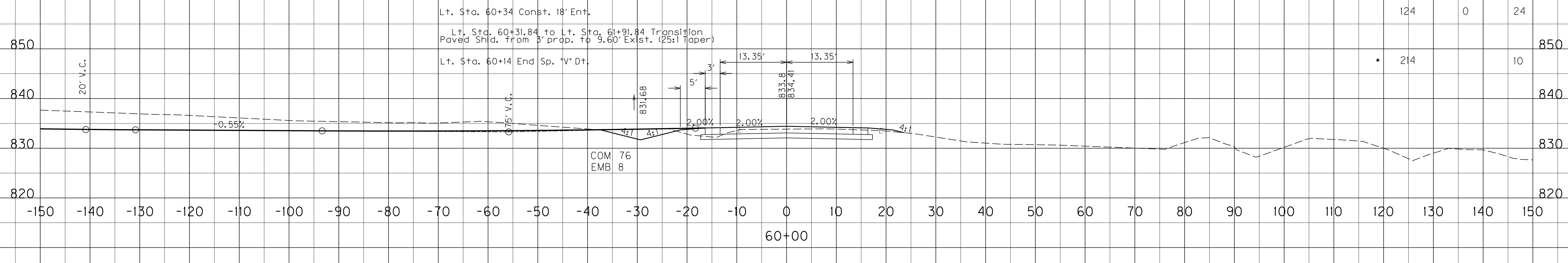
KY 32 - STA. 49+00 TO STA. 50+00

PREPARED BY _____ DATE _____
 CHECKED BY _____ DATE _____
 APPROVED BY _____ DATE _____

COM ROCK EMB



117 0 34



124 0 24

214 10

USER: \$\$\$USER\$\$\$
 DATE: \$\$\$DATE\$\$\$
 FILE NAME: \$\$\$designsfiles\$\$\$
 E-SHEET NAME: X15400XS

SCALE: 1" = 10'
 1" = 10'
 HORIZONTAL
 VERTICAL

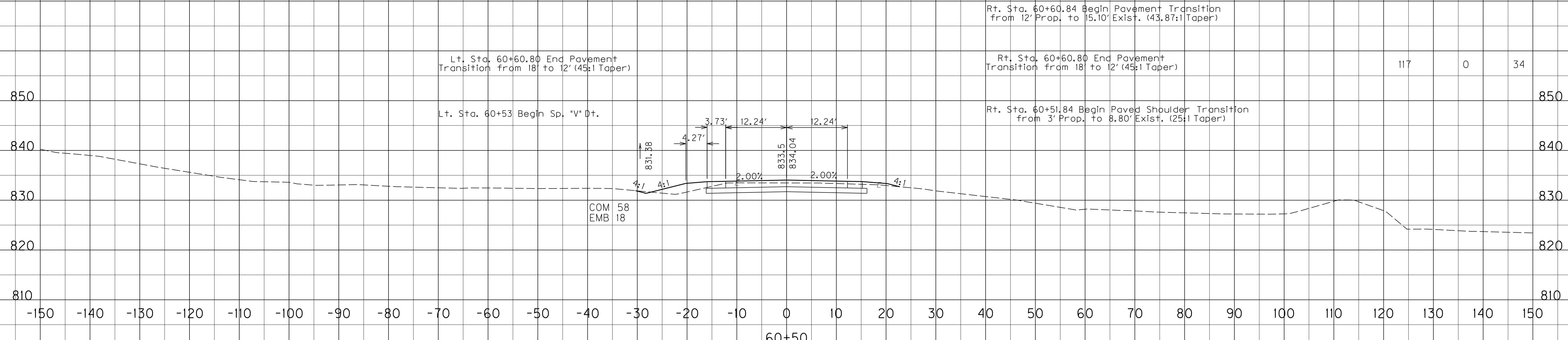
KY 32 - STA. 60+00 TO STA. 60+50

REVISED 4-16-13

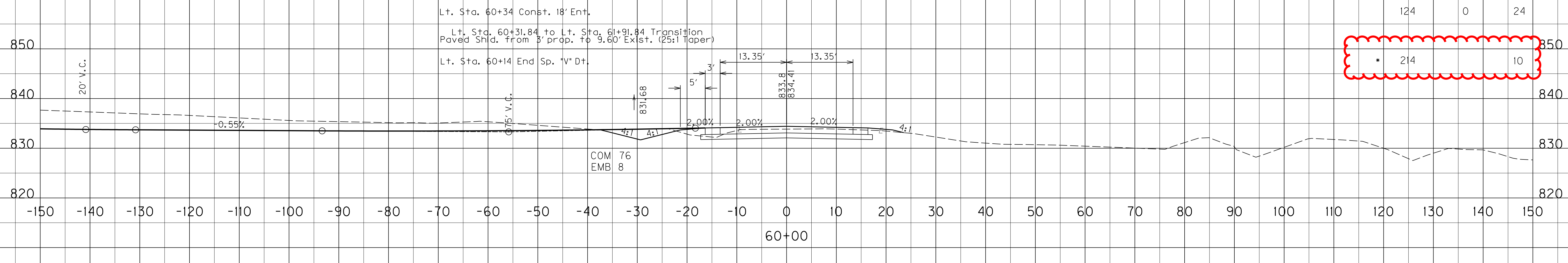
COUNTY OF	ITEM NO.	SHEET NO.
SCOTT	7-102.10	X154

PREPARED BY _____ DATE _____
 CHECKED BY _____ DATE _____
 APPROVED BY _____ DATE _____

COM ROCK EMB



117 0 34



124 0 24

214 10

USER: \$\$\$USER\$\$\$
 DATE: \$\$\$DATE\$\$\$
 FILE NAME: \$\$\$designsfiles\$\$\$specifications\$\$\$
 E-SHEET NAME: X15400XS

SCALE: 1" = 10'
 1" = 10'

HORIZONTAL
 VERTICAL

KY 32 - STA. 60+00 TO STA. 60+50

BENCH	ROCK BENCH	COM	ROCK	EMB
-------	------------	-----	------	-----

KY 32 TOTALS	1,389	74	23,998	7,007	35,603
--------------	-------	----	--------	-------	--------

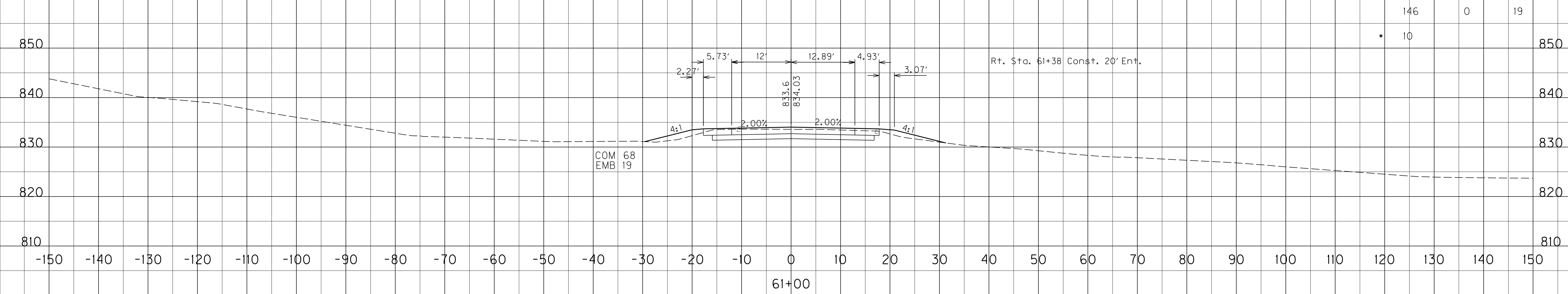
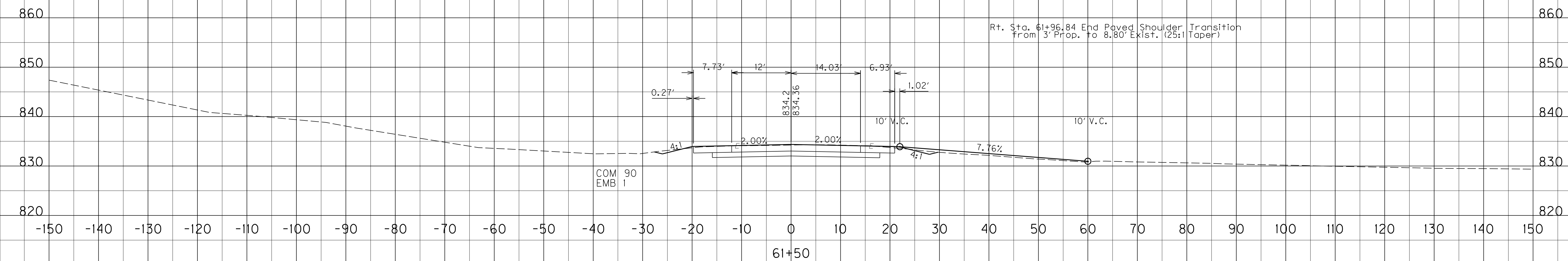
Sta. 61+96.84 End Construction PLAN SHEET TOTALS STA. 50+00 TO STA. 61+96.84

0	0	9,537	950	145
---	---	-------	-----	-----

Lt. Sta. 61+56.37 to Lt. Sta. 61+96.84 Transition
Pavement from 12' Prop. to 11.10' Exist. (45:1 Taper)

Rt. Sta. 61+96.84 End Pavement Transition
from 12' Prop. to 15.10' Exist. (43.87:1 Taper)

Rt. Sta. 61+96.84 End Paved Shoulder Transition
from 3' Prop. to 8.80' Exist. (25:1 Taper)



Lt. Sta. 60+76 End Sp. "V" D+.

Rt. Sta. 61+38 Const. 20' Ent.

SCALE: 1" = 10'
1" = 10'

HORIZONTAL
VERTICAL

KY 32 - STA. 61+00 TO STA. 61+96.84

PREPARED BY _____ DATE _____
CHECKED BY _____ DATE _____
APPROVED BY _____ DATE _____

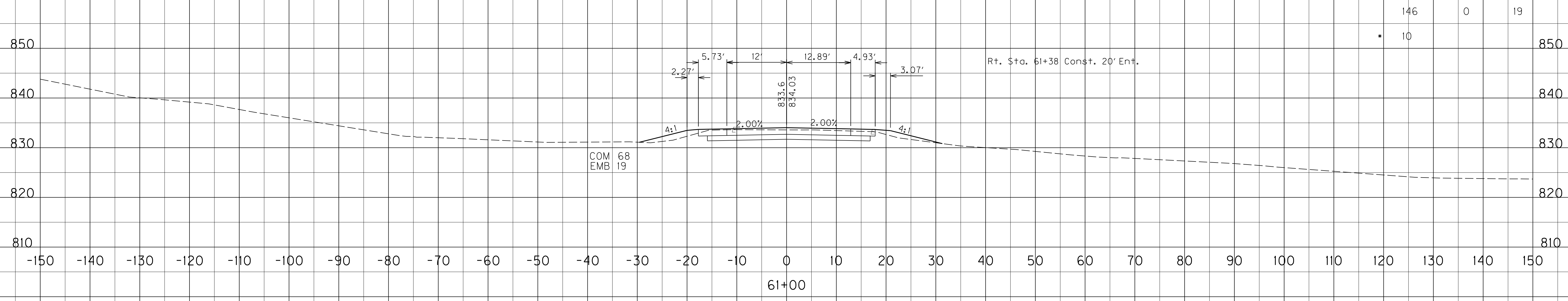
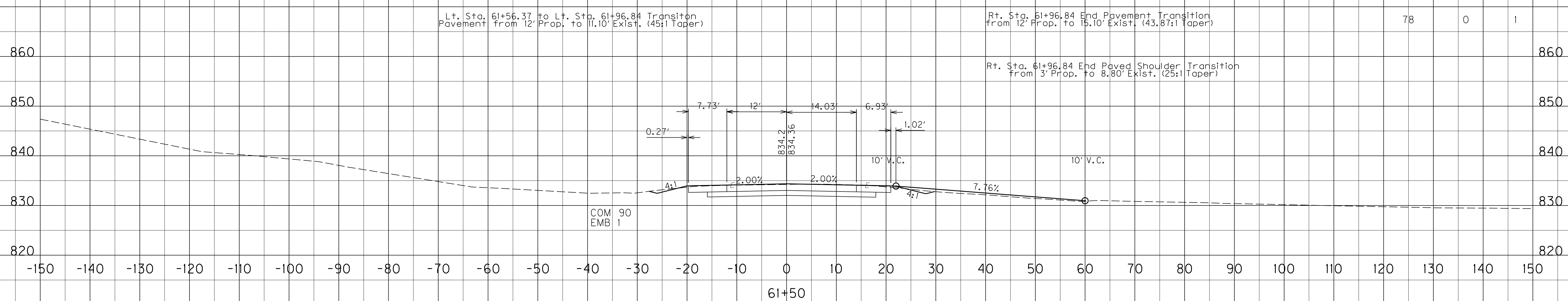
USER: \$\$\$USER\$\$\$
DATE: \$\$\$DATE\$\$\$
FILE NAME: \$\$\$designsfiles\$\$\$specifications\$\$\$
E-SHEET NAME: X15500XS

PREPARED BY _____ DATE _____
 CHECKED BY _____ DATE _____
 APPROVED BY _____ DATE _____

BENCH	ROCK BENCH	COM	ROCK	EMB
-------	------------	-----	------	-----

KY 32 TOTALS	1,389	74	23,998	7,007	35,603
PLAN SHEET TOTALS STA. 50+00 TO STA. 61+96.84	0	0	9,537	950	145

Sta. 61+96.84 End Construction



USER: \$\$\$USER\$\$\$
 DATE: \$\$\$DATE\$\$\$
 FILE NAME: \$\$\$designsfiles\$\$\$specifications\$\$\$
 E-SHEET NAME: X15500XS

SCALE: 1" = 10'
 1" = 10'
 HORIZONTAL
 VERTICAL

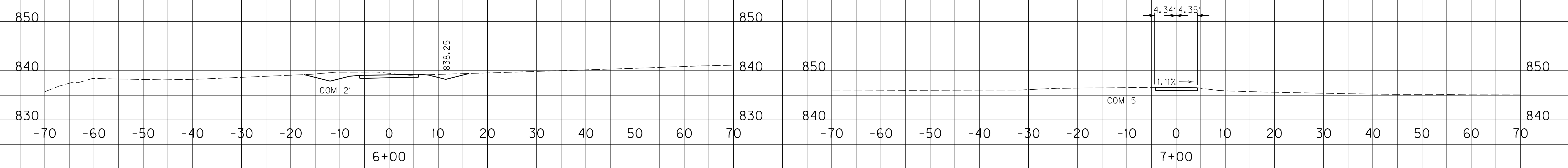
KY 32 - STA. 61+00 TO STA. 61+96.84

COM	EMB
-----	-----

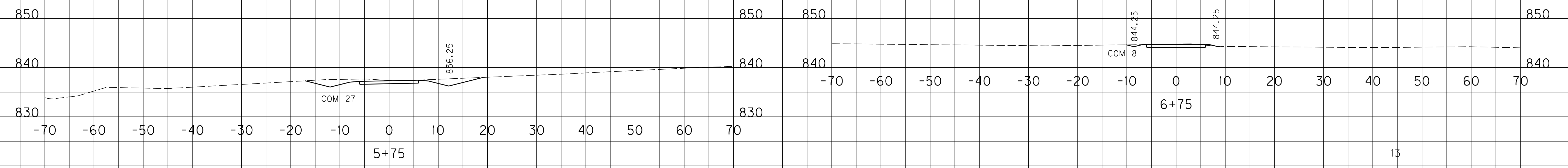
ENTRANCE TOTAL 214 10

COM EMB

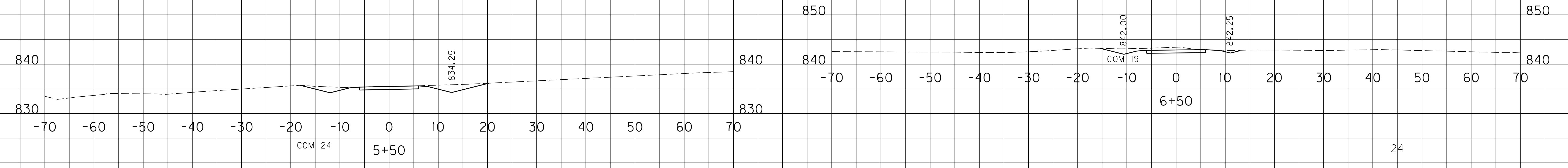
25



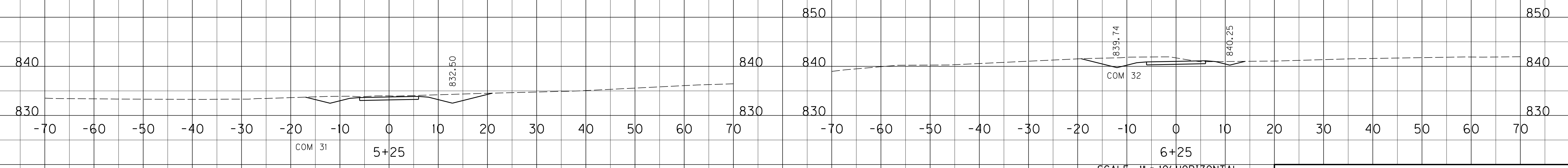
22



24



25



SCALE: 1" = 10' HORIZONTAL
1" = 10' VERTICAL

KY 32 Entr. Lt. Sta. 60+34
Sta. 5+25 to Sta. 7+00

FILE NAME: G:\PWORK\CASEY.SMITH\0750553.X16200XS.DGN

USER: Casey.Smith
DATE PLOTTED: April 16, 2013

E-SHEET NAME: X16200XS

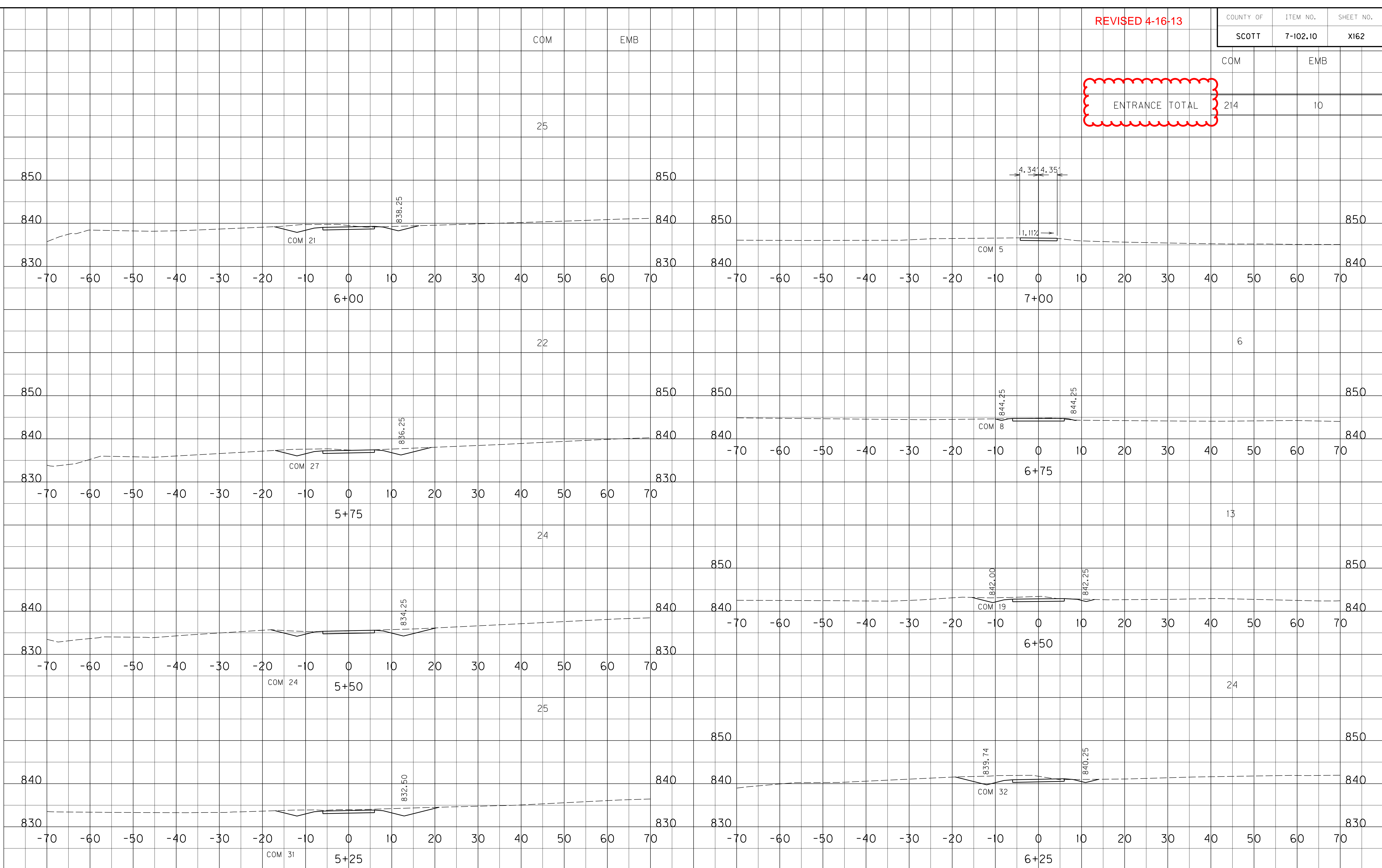
MicroStation v8.11.7.180

REVISED 4-16-13

COUNTY OF	ITEM NO.	SHEET NO.
SCOTT	7-102.10	X162

	COM	EMB
ENTRANCE TOTAL	214	10

MicroStation v8.11.7.180 E-SHEET NAME: X16200XS USER: Casey-Smith DATE PLOTTED: April 16, 2013 FILE NAME: G:\PWORK\CASEY-SMITH\0750553.X16200XS.DGN



SCALE: 1" = 10' HORIZONTAL
1" = 10' VERTICAL

KY 32 Entr. Lt. Sta. 60+34
Sta. 5+25 to Sta. 7+00

PROPOSAL BID ITEMS

Report Date 4/17/13

Section: 0001 - PAVING

LINE	BID CODE	ALT	DESCRIPTION	QUANTITY	UNIT	UNIT PRICE	FP	AMOUNT
0010	00003		CRUSHED STONE BASE	33,354.00	TON		\$	
0020	00078		CRUSHED AGGREGATE SIZE NO 2	33,525.00	TON		\$	
0030	00100		ASPHALT SEAL AGGREGATE	75.80	TON		\$	
0040	00103		ASPHALT SEAL COAT	9.09	TON		\$	
0050	00212		CL2 ASPH BASE 1.00D PG64-22	3,685.00	TON		\$	
0060	00214		CL3 ASPH BASE 1.00D PG64-22	37,891.00	TON		\$	
0070	00221		CL2 ASPH BASE 0.75D PG64-22	341.00	TON		\$	
0080	00307		CL2 ASPH SURF 0.38B PG64-22	1,294.00	TON		\$	
0090	00388		CL3 ASPH SURF 0.38B PG64-22	5,669.00	TON		\$	

Section: 0002 - ROADWAY

LINE	BID CODE	ALT	DESCRIPTION	QUANTITY	UNIT	UNIT PRICE	FP	AMOUNT
0100	00078		CRUSHED AGGREGATE SIZE NO 2	4.00	TON		\$	
0110	01000		PERFORATED PIPE-4 IN	60.00	LF		\$	
0120	01002		PERFORATED PIPE-8 IN	280.00	LF		\$	
0130	01026		PERF PIPE HEADWALL TY 2-8 IN	4.00	EACH		\$	
0140	01810		STANDARD CURB AND GUTTER	7,437.00	LF		\$	
0150	01825		ISLAND CURB AND GUTTER	4,817.00	LF		\$	
0160	02014		BARRICADE-TYPE III	51.00	EACH		\$	
0170	02091		REMOVE PAVEMENT	739.00	SQYD		\$	
0180	02159		TEMP DITCH	23,629.00	LF		\$	
0190	02160		CLEAN TEMP DITCH	32,332.00	LF		\$	
0200	02223		GRANULAR EMBANKMENT	7,407.00	CUYD		\$	
0210	02230		EMBANKMENT IN PLACE(REVISED: 4-17-13)	317,829.00	CUYD		\$	
0220	02242		WATER	165.00	MGAL		\$	
0230	02351		GUARDRAIL-STEEL W BEAM-S FACE	6,325.00	LF		\$	
0240	02360		GUARDRAIL TERMINAL SECTION NO 1	2.00	EACH		\$	
0250	02363		GUARDRAIL CONNECTOR TO BRIDGE END TY A	4.00	EACH		\$	
0260	02367		GUARDRAIL END TREATMENT TYPE 1	4.00	EACH		\$	
0270	02371		GUARDRAIL END TREATMENT TYPE 7	2.00	EACH		\$	
0280	02381		REMOVE GUARDRAIL	897.00	LF		\$	
0290	02391		GUARDRAIL END TREATMENT TYPE 4A	22.00	EACH		\$	
0300	02397		TEMP GUARDRAIL	250.00	LF		\$	
0310	02429		RIGHT-OF-WAY MONUMENT TYPE 1	134.00	EACH		\$	
0320	02432		WITNESS POST	134.00	EACH		\$	
0321	02469		CLEAN SINKHOLE(ADDED: 4-17-13)	11.00	EACH		\$	
0330	02483		CHANNEL LINING CLASS II	5,618.00	TON		\$	
0340	02484		CHANNEL LINING CLASS III	212.00	TON		\$	
0350	02545		CLEARING AND GRUBBING(99.50 ACRES)	1.00	LS		\$	
0360	02555		CONCRETE-CLASS B	45.11	CUYD		\$	
0370	02562		TEMPORARY SIGNS	173.00	SQFT		\$	
0380	02585		EDGE KEY	226.00	LF		\$	
0390	02596		FABRIC-GEOTEXTILE TYPE I	374.00	SQYD		\$	
0400	02599		FABRIC-GEOTEXTILE TYPE IV	68,648.00	SQYD		\$	
0410	02600		FABRIC GEOTEXTILE TY IV FOR PIPE	16,242.00	SQYD	\$2.00	\$	\$32,517.30

PROPOSAL BID ITEMS

Report Date 4/17/13

LINE	BID CODE	ALT	DESCRIPTION	QUANTITY	UNIT	UNIT PRICE	FP	AMOUNT
0420	02611		HANDRAIL-TYPE A-1	122.00	LF		\$	
0430	02650		MAINTAIN & CONTROL TRAFFIC	1.00	LS		\$	
0440	02651		DIVERSIONS (BY-PASS DETOURS)(LT STA 38+50 TO LT STA 61+96.58)	1.00	LS		\$	
0450	02651		DIVERSIONS (BY-PASS DETOURS)(LT STA 28+50 TO LT STA 34+00)	1.00	LS		\$	
0460	02671		PORTABLE CHANGEABLE MESSAGE SIGN	4.00	EACH		\$	
0470	02701		TEMP SILT FENCE	34,400.00	LF		\$	
0480	02703		SILT TRAP TYPE A	100.00	EACH		\$	
0490	02704		SILT TRAP TYPE B	100.00	EACH		\$	
0500	02705		SILT TRAP TYPE C	100.00	EACH		\$	
0510	02706		CLEAN SILT TRAP TYPE A	300.00	EACH		\$	
0520	02707		CLEAN SILT TRAP TYPE B	300.00	EACH		\$	
0530	02708		CLEAN SILT TRAP TYPE C	300.00	EACH		\$	
0540	02709		CLEAN TEMP SILT FENCE	103,200.00	LF		\$	
0550	02720		SIDEWALK-4 IN CONCRETE	2,959.00	SQYD		\$	
0560	02726		STAKING	1.00	LS		\$	
0561	02731		REMOVE STRUCTURE(10 FT. X 5 FT. RCBC); (ADDED: 4-17-13)	1.00	LS		\$	
0562	02731		REMOVE STRUCTURE(9 FT. X 5 FT. RCBC); (ADDED: 4-17-13)	1.00	LS		\$	
0563	02731		REMOVE STRUCTURE(6 FT. X 4 FT. RCBC); (ADDED: 4-17-13)	1.00	LS		\$	
0570	05026		EASTERN WHITE PINE	28.00	EACH		\$	
0580	05950		EROSION CONTROL BLANKET	4,704.00	SQYD		\$	
0590	05952		TEMP MULCH	481,580.00	SQYD		\$	
0600	05953		TEMP SEEDING AND PROTECTION	117,458.00	SQYD		\$	
0610	05966		TOPDRESSING FERTILIZER	20.30	TON		\$	
0620	05985		SEEDING AND PROTECTION	391,525.00	SQYD		\$	
0630	06406		SBM ALUM SHEET SIGNS .080 IN	386.23	SQFT		\$	
0640	06407		SBM ALUM SHEET SIGNS .125 IN	226.00	SQFT		\$	
0650	06411		STEEL POST TYPE 2	826.00	LF		\$	
0660	06412		STEEL POST MILE MARKERS	4.00	EACH		\$	
0670	06510		PAVE STRIPING-TEMP PAINT-4 IN	11,380.00	LF		\$	
0680	06514		PAVE STRIPING-PERM PAINT-4 IN	64,346.00	LF		\$	
0690	06540		PAVE STRIPING-THERMO-4 IN W	1,107.00	LF		\$	
0700	06541		PAVE STRIPING-THERMO-4 IN Y	554.00	LF		\$	
0710	06565		PAVE MARKING-THERMO X-WALK-6 IN	452.00	LF		\$	
0720	06568		PAVE MARKING-THERMO STOP BAR-24IN	255.00	LF		\$	
0730	06573		PAVE MARKING-THERMO STR ARROW	21.00	EACH		\$	
0740	06574		PAVE MARKING-THERMO CURV ARROW	60.00	EACH		\$	
0750	06575		PAVE MARKING-THERMO COMB ARROW	4.00	EACH		\$	
0760	08001		STRUCTURE EXCAVATION-COMMON	42.00	CUYD		\$	
0770	08003		FOUNDATION PREPARATION	1.00	LS		\$	
0780	10020NS		FUEL ADJUSTMENT	98,732.00	DOLL	\$1.00	\$	\$98,732.00
0790	10030NS		ASPHALT ADJUSTMENT	87,984.00	DOLL	\$1.00	\$	\$87,984.00
0800	20001ES724		SHRUB	403.00	EACH		\$	
0810	20063EN9T		DRY-LAID ROCK FENCE	570.00	LF		\$	
0820	20210EP69		COHESIVE PILE CORE	616.00	CUYD		\$	
0830	20257NC		SITE PREPARATION	1.00	LS		\$	
0840	20451NS724		WHITE OAK	29.00	EACH		\$	

PROPOSAL BID ITEMS

Report Date 4/17/13

LINE	BID CODE	ALT	DESCRIPTION	QUANTITY	UNIT	UNIT PRICE	FP	AMOUNT
0850	20458ES403		CENTERLINE RUMBLE STRIPS	13,913.00	LF		\$	
0860	20512NS724		RED MAPLE	42.00	EACH		\$	
0870	21417ES717		PAVE MARK THERMO CONE CAP-SOLID YELLOW	625.00	SQFT		\$	
0880	21426NS724		NORWAY SPRUCE	45.00	EACH		\$	
0890	21590EN		SOUND BARRIER WALL	35,258.00	SQFT		\$	
0900	21664NS724		SNOWDRIFT CRABAPPLE	100.00	EACH		\$	
0910	23131ER701		PIPELINE VIDEO INSPECTION	4,811.00	LF		\$	
0920	23139EN		STRIPING REMOVAL	2,510.00	LF		\$	
0930	23158ES505		DETECTABLE WARNINGS	90.00	SQFT		\$	
0940	23274EN11F		TURF REINFORCEMENT MAT 1	6,144.00	SQYD		\$	
0950	23421EC		KARL FOERSTER'S FEATHER REED GRASS	243.00	EACH		\$	
0960	24558ED		ORNAMENTAL GRASS	187.00	EACH		\$	
0970	24559ED		NATIVE GRASS	234.00	EACH		\$	

PROPOSAL BID ITEMS

Report Date 4/17/13

Section: 0003 - DRAINAGE

LINE	BID CODE	ALT	DESCRIPTION	QUANTITY	UNIT	UNIT PRICE	FP	AMOUNT
0980	00078		CRUSHED AGGREGATE SIZE NO 2	13.00	TON		\$	
0990	00440		ENTRANCE PIPE-15 IN	148.00	LF		\$	
1000	00441		ENTRANCE PIPE-18 IN	85.00	LF		\$	
1010	00443		ENTRANCE PIPE-24 IN	32.00	LF		\$	
1020	00450		ENTRANCE PIPE-15 IN EQUIV	32.00	LF		\$	
1030	00462		CULVERT PIPE-18 IN	190.00	LF		\$	
1040	00464		CULVERT PIPE-24 IN	236.00	LF		\$	
1050	00468		CULVERT PIPE-36 IN	119.00	LF		\$	
1060	00469		CULVERT PIPE-42 IN	253.00	LF		\$	
1070	00471		CULVERT PIPE-54 IN	273.00	LF		\$	
1080	00500		CULVERT PIPE-54 IN EQUIV	159.00	LF		\$	
1090	00521		STORM SEWER PIPE-15 IN	926.50	LF		\$	
1100	00522		STORM SEWER PIPE-18 IN	2,352.00	LF		\$	
1110	00524		STORM SEWER PIPE-24 IN	21.50	LF		\$	
1120	01005		PERFORATED PIPE EDGE DRAIN-4 IN	13,138.00	LF		\$	
1130	01010		NON-PERFORATED PIPE-4 IN	680.00	LF		\$	
1140	01020		PERF PIPE HEADWALL TY 1-4 IN	2.00	EACH		\$	
1150	01024		PERF PIPE HEADWALL TY 2-4 IN	3.00	EACH		\$	
1160	01028		PERF PIPE HEADWALL TY 3-4 IN	8.00	EACH		\$	
1170	01433		SLOPED BOX OUTLET TYPE 1-18 IN	1.00	EACH		\$	
1180	01450		S & F BOX INLET-OUTLET-18 IN	2.00	EACH		\$	
1190	01451		S & F BOX INLET-OUTLET-24 IN	5.00	EACH		\$	
1200	01456		CURB BOX INLET TYPE A	24.00	EACH		\$	
1210	01490		DROP BOX INLET TYPE 1	1.00	EACH		\$	
1220	01505		DROP BOX INLET TYPE 5B	1.00	EACH		\$	
1230	01544		DROP BOX INLET TYPE 11	2.00	EACH		\$	
1240	01642		JUNCTION BOX-18 IN	5.00	EACH		\$	
1250	01643		JUNCTION BOX-24 IN	1.00	EACH		\$	
1260	02483		CHANNEL LINING CLASS II	162.50	TON		\$	
1270	02600		FABRIC GEOTEXTILE TY IV FOR PIPE	1,015.90	SQYD	\$2.00	\$	\$2,031.80
1280	08100		CONCRETE-CLASS A	54.51	CUYD		\$	
1290	08150		STEEL REINFORCEMENT	3,998.00	LB		\$	

PROPOSAL BID ITEMS

Report Date 4/17/13

Section: 0004 - BRIDGE

LINE	BID CODE	ALT	DESCRIPTION	QUANTITY	UNIT	UNIT PRICE	FP	AMOUNT
1300	01643		JUNCTION BOX-24 IN	4.00	EACH		\$	
1310	02231		STRUCTURE GRANULAR BACKFILL	419.60	CUYD		\$	
1320	02998		MASONRY COATING	1,404.00	SQYD		\$	
1330	03299		ARMORED EDGE FOR CONCRETE	272.90	LF		\$	
1340	04797		CONDUIT-3 IN	602.70	LF		\$	
1350	08001		STRUCTURE EXCAVATION-COMMON	1,096.00	CUYD		\$	
1360	08002		STRUCTURE EXCAV-SOLID ROCK	270.00	CUYD		\$	
1370	08003		FOUNDATION PREPARATION(26854)	1.00	LS		\$	
1380	08003		FOUNDATION PREPARATION(26855)	1.00	LS		\$	
1390	08003		FOUNDATION PREPARATION(26856)	1.00	LS		\$	
1400	08003		FOUNDATION PREPARATION(26857)	1.00	LS		\$	
1410	08019		CYCLOPEAN STONE RIP RAP	285.00	TON		\$	
1420	08020		CRUSHED AGGREGATE SLOPE PROT	547.00	TON		\$	
1430	08033		TEST PILES	53.00	LF		\$	
1440	08039		PRE-DRILLING FOR PILES	100.00	LF		\$	
1450	08046		PILES-STEEL HP12X53	392.00	LF		\$	
1460	08094		PILE POINTS-12 IN	9.00	EACH		\$	
1470	08100		CONCRETE-CLASS A	1,403.60	CUYD		\$	
1480	08104		CONCRETE-CLASS AA	885.20	CUYD		\$	
1490	08150		STEEL REINFORCEMENT	180,969.00	LB		\$	
1500	08151		STEEL REINFORCEMENT-EPOXY COATED	208,149.00	LB		\$	
1510	08637		PRECAST PC I BEAM TYPE 7	2,660.90	LF		\$	
1520	20391NS835		ELECTRICAL JUNCTION BOX TYPE A	2.00	EACH		\$	
1530	21532ED		RAIL SYSTEM TYPE III	1,170.20	LF		\$	

Section: 0005 - SIGNALIZATION

LINE	BID CODE	ALT	DESCRIPTION	QUANTITY	UNIT	UNIT PRICE	FP	AMOUNT
1540	04792		CONDUIT-1 IN	105.00	LF		\$	
1550	04793		CONDUIT-1 1/4 IN	1,335.00	LF		\$	
1560	04795		CONDUIT-2 IN	520.00	LF		\$	
1570	04811		ELECTRICAL JUNCTION BOX TYPE B	12.00	EACH		\$	
1580	04820		TRENCHING AND BACKFILLING	1,440.00	LF		\$	
1590	04830		LOOP WIRE	3,038.00	LF		\$	
1600	04844		CABLE-NO. 14/5C	2,010.00	LF		\$	
1610	04850		CABLE-NO. 14/1 PAIR	10,025.00	LF		\$	
1620	04895		LOOP SAW SLOT AND FILL	992.00	LF		\$	
1630	04950		REMOVE SIGNAL EQUIPMENT	1.00	EACH		\$	
1640	20188NS835		INSTALL LED SIGNAL-3 SECTION	8.00	EACH		\$	
1650	21659NN		RELOCATE SIGNAL HEAD	4.00	EACH		\$	
1660	21743NN		INSTALL PEDESTRIAN DETECTOR	2.00	EACH		\$	
1670	23064NN		INSTALL SIGNAL-PEDESTRIAN COUNTDOWN	2.00	EACH		\$	
1680	23222EC		INSTALL SIGNAL PEDESTAL	2.00	EACH		\$	
1690	23982EC		INSTALL ANTENNA	1.00	EACH		\$	

PROPOSAL BID ITEMS

Report Date 4/17/13

Section: 0006 - TRAINEES

LINE	BID CODE	ALT	DESCRIPTION	QUANTITY	UNIT	UNIT PRICE	FP	AMOUNT
1700	02742		TRAINEE PAYMENT REIMBURSEMENT1 TRUCK DRIVER	1,400.00	HOUR		\$	
1710	02742		TRAINEE PAYMENT REIMBURSEMENT1 CARPENTER TRAINEE	1,400.00	HOUR		\$	

Section: 0007 - MOBILIZATION / DEMOBILIZATION

LINE	BID CODE	ALT	DESCRIPTION	QUANTITY	UNIT	UNIT PRICE	FP	AMOUNT
1720	02568		MOBILIZATION	1.00	LS		\$	
1730	02569		DEMOBILIZATION	1.00	LS		\$	